



# APPLIED ENGINEERING PRODUCTS

[www.aepvalvebox.com](http://www.aepvalvebox.com)

*Since 1987, AEP has been manufacturing high quality commercial grade utility boxes and valveboxes.*

**Underground Enclosures for Electrical, CATV  
Telecommunications, and Irrigation Applications**

14325 Monte Vista, PO Box #926, Chino, CA 91710 | (909) 393- 9800 | FAX (909) 606-5445  
valvebox@aepvalvebox.com





Introduction . . . . . 1

Quick Reference Guide . . . . . 2

General Specification Information . . . . . 3

Series 575 (Sub Terrain Emitter Box & Cover). . . . . 4

Series 608 (6" Round Econo) . . . . . 5

Series 610 (6" Round). . . . . 6

Series 910L (10" Round) . . . . . 10

Series 1015 (6" High) Body . . . . . 15

Series 1015X (6" High) Extension . . . . . 16

Series 1015 (12" High) Valve Box . . . . . 17

Series 1015-4 (Hinged Lid) Valve Box . . . . . 22

Series 1320 (6" High) Nestable Body . . . . . 23

Series 1320 (6" High) Extension . . . . . 24

Series 1320 (12" High) Jumbo Valve Box . . . . . 25

Series 1324-12" Utility Box . . . . . 30

Series 1324-15" Utility Box . . . . . 33

Series 1730-15" Utility Box . . . . . 38

Series 1730-18" Utility Box . . . . . 42

Series 1730-X (8" High) Extension . . . . . 47

Reclaimed Water Nameplate . . . . . 48

Warranty & Liability Statement . . . . . 49

## INTRODUCTION

Applied Engineering Products (AEP) proudly provides commercial grade irrigation valve boxes, turf irrigation valve boxes, and utility underground enclosures that will meet your specific needs. Our complete line of valve boxes are designed to perform under a variety of outdoor conditions and applications.

The unique combination of strength in design and understanding of customer's needs are foremost in our minds. AEP strives to live up to the philosophy that the customer always comes first.

AEP believes that our product speaks for itself. Our plastic underground enclosures rival existing competitive products and demonstrate the following key features:

- **Lightweight** – Easy to use while providing higher load and environment resistance qualities over current products in plastic or concrete.
- **Reduced Side Angle** – Provides easier readjustments to grade, while inside area remains the same.
- **Increased Break Resistant** – Structural foamed plastic parts have a lower density than straight injection products, allowing a part to still provide high flexibility through proper design while remaining resistant to impact and bowing when installed.
- **Non-Conductive or Sparking** – Ideal for use in electrical or phone connection junction boxes.
- **UV Protection** – UV inhibitors to prevent cracking and discoloration for a long lasting product.

## PRODUCT QUICK REFERENCE



Part Number: 575 1B2G  
Description: 6" RD. EMITTER BOX  
Weight: 1.25 LBS./56 KG  
Size: 5.74"x8" • 256 PER PALLET



Part Number: 608 1B2G  
Description: 6" RD. "ECONO" BOX  
Weight: 1.25 LBS./56 KG  
Size: 6"x8" • 256 PER PALLET



Part Number: 610 1G2G  
Description: 6" RD. HD BOX  
Weight: 1.32 LBS./60 KG  
Size: 6"x9" • 256 PER PALLET



Part Number: 910L 1G2G  
Description: 9" RD. HD BOX  
Weight: 4.00 LBS./1.81 KG  
Size: 9"x10" • 90 PER PALLET



Part Number: 1015 1G2G HD  
Description: 12" HIGH HD BOX  
Weight: 10 LBS./4.54 KG  
(AVAILABLE IN "T", DROP-IN or WATER METER)  
Size: 10"x15"x12" 60 PER PALLET



Part Number: 1015 1G4G  
Description: 12" HIGH HD BOX W/HINGED COVER  
Weight: 10.5 LBS./4.8 KG  
Size: 10"x15"x12" • 60 PER PALLET



Part Number: 1015 6G2G  
Description: 6" HIGH HD BOX  
Weight: 6.42 LBS./2.91 KG  
Size: 10"x15"x6" • 60 PER PALLET



Part Number: 1015 XG  
Description: 6" HIGH HD TOP EXT.  
Weight: 4.15 LBS./1.88 KG  
Size: 10"x15"x6" • 48 PER PALLET



Part Number: 1320 6G2G  
Description: 6" HIGH HD BOX  
Weight: 8.5 LBS./3.86 KG  
Size: 13"x20"x6" • 48 PER PALLET



Part Number: 1320 XG  
Description: 6" HIGH JUMBO TOP EXT.  
Weight: 5.00 LBS./2.28 KG  
Size: 13"x20"x6" • 32 PER PALLET



Part Number: 1320 1G2G  
Description: 12" HIGH JUMBO BOX  
Weight: 13.13 LBS./5.96 KG  
Size: 13"x20"x12" • 40 PER PALLET



Part Number: 1324-12P2P  
Description: 12" HIGH Utility Box  
Weight: 22 LBS./9.98 KG  
Size: 13"x24"x12" • 16 PER PALLET



Part Number: 1324-15P2P  
Description: 15" HIGH Utility Box  
Weight: 27 LBS./12.25 KG  
Size: 13"x24"x15" • 16 PER PALLET



Part Number: 1730-15P2P  
Description: 15" HIGH Utility Box  
Weight: 31 LBS./14.06 KG  
Size: 17"x30"x15" • 16 PER PALLET



Part Number: 1730-18P2P  
Description: 18" HIGH Utility Box  
Weight: 42 LBS./19.18 KG  
Size: 17"x30"x18" • 16 PER PALLET



Part Number: 1730-XG  
Description: 8" HIGH HD BOTTOM EXT.  
Weight: 12 LBS./5.44 KG  
Size: 17"x30"x8" • 22 PER PALLET

AVAILABLE COVER MARKINGS  
IRRIGATION CONTROL VALVE, WATER, SEWER, CATV, ELECTRIC, TELEPHONE, RECLAIMED WATER, CUSTOM  
AVAILABLE COLORS: GREEN GRAY BLACK TAN LAVENDER

Ref: 4 Spec Sheet

## General Specification Information

### SPECIFICATIONS

- Enclosures shall be structural foam molded HDPE plastic with ultra-violet additives ASTM-D-V1248
- Box shall have adequate soil surface to prevent settling in firm soil
- Box to have molded in nylon nut for bolt
- Cover marking shall be molded into cover
- Product shall comply to ASTM-D-635 or UL-94 (Flammability of Plastic Articles)
- Cover to have anti-skid surface

### ORDERING

- Specify: Part #, Body and Cover, Color (example)
- Cover markings
- "Ship to" and "Bill to" location

P/N	Body	Color	Cover	Color
1015	1	G	2	G

### FREIGHT

Freight Definitions	"Plastic Articles Expanded"*	NMFC	157320
	**"Plastic Articles"*	NMFC	156600

\*As products vary greatly in size and density, freight is quoted at time of order.  
 Generally products will ship class 92 - (10-12# per cu/ft.); or class 85 (12-15# per cu/ft.)

### PHYSICAL & CHEMICAL PROPERTIES

DESCRIPTION	ASTM	VALUES
Polyethylene	D – 1248	– – –
IZOD Impact Strength (2 Ft – lb Hammer)	D – 256	0.6 ft – lb/in
Effect of Acids and Alkalies	D – 543	Very Resistant
Tensile Strength	D – 638	4415 PSI
Deflection Temp. @ 66 PSI	D – 648	159° F
Flexural Modulus	D – 790	191,000 PSI
Flammability (Horizontal cm/min)	D – 635	1.59 cm/min
Resistance To Ultra – Violet Light	G – 26 – 92	7 – 9 Years**
Xenon – Arc >35w/m <sup>2</sup> /NM Bend @ 340 NM		

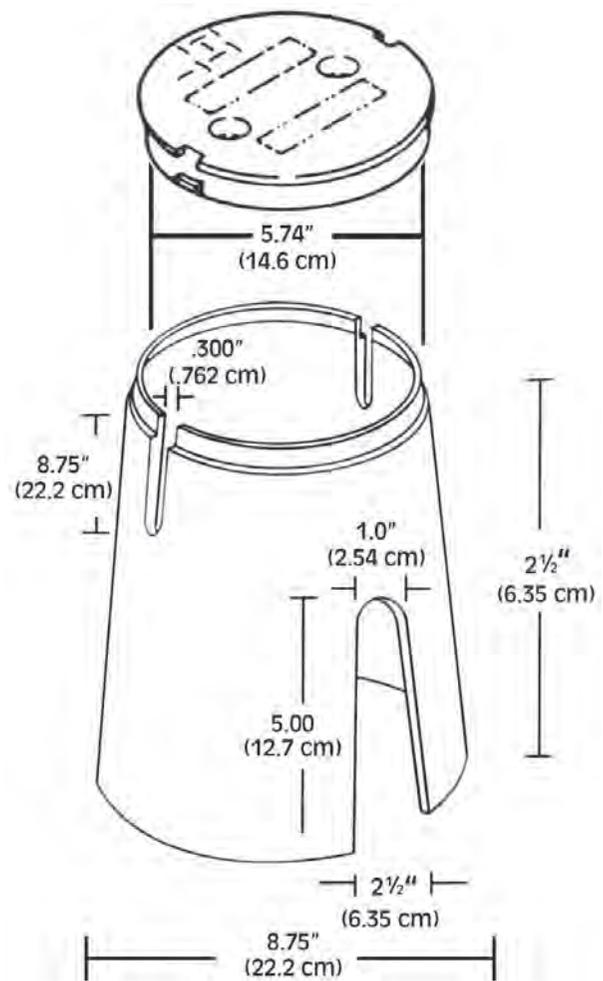
- Special product load data available on website.

\*\* Surface Discoloration Varies With Area Condition, AATCC Test Method 16E 1976

**SERIES 575 (SUB TERRAIN EMITTER BOX) Black Body W/Green Cover**

- 256 PER PALLET
- BODY & COVER
- BODY
- COVER

575-1B2G	1.25 LBS.	.56 KG
575-1B	1.00 LBS.	.45 KG
575-2G	.25 LBS.	.11 KG



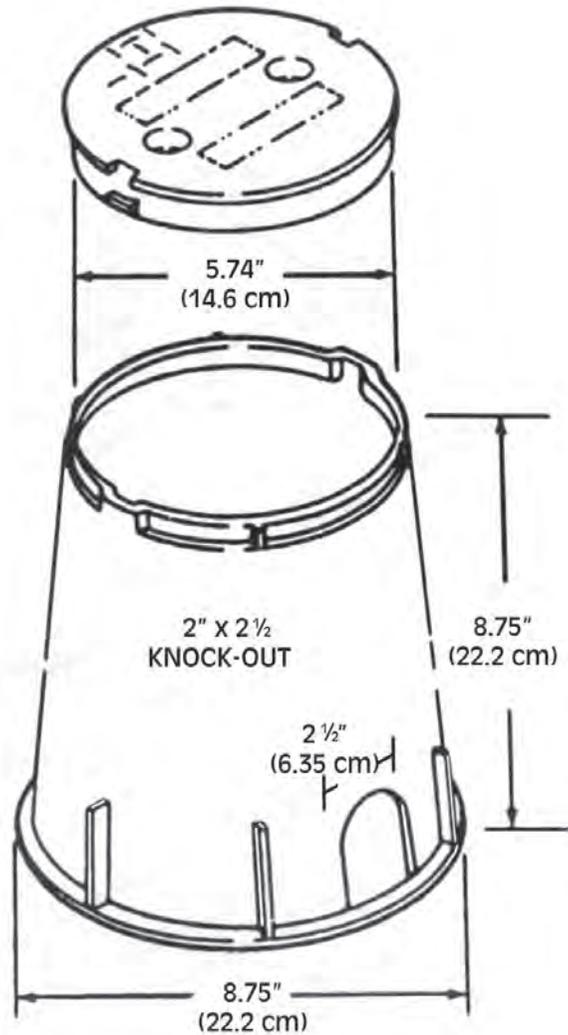
**SPECIAL FEATURES**

- TWIST LOCK COVER
- GROOVE TO HOLD DRIPLINE SECURE
- HIGH TOP LOAD STRENGTH
- LIGHT-WEIGHT CONSTRUCTION
- UV INHIBITORS TO PREVENT DISCOLORATION & CRACKING

**STANDARD MARKING AVAILABLE (BLANK)**

**SERIES 608 (6" ROUND ECONO) BLACK BODY W/GREEN COVER**

■ 256 PER PALLET				
■ BODY & COVER	608-1B2G	1.25 LBS.	.56 KG	
■ BODY	608-1B	1.00 LBS.	.45 KG	
■ COVER	610-2G	.25 LBS.	.11 KG	



**SPECIAL FEATURES**

- TWIST LOCK COVER
- HIGH TOP LOAD STRENGTH
- LIGHT-WEIGHT CONSTRUCTION
- UV INHIBITORS TO PREVENT DISCOLORATION & CRACKING

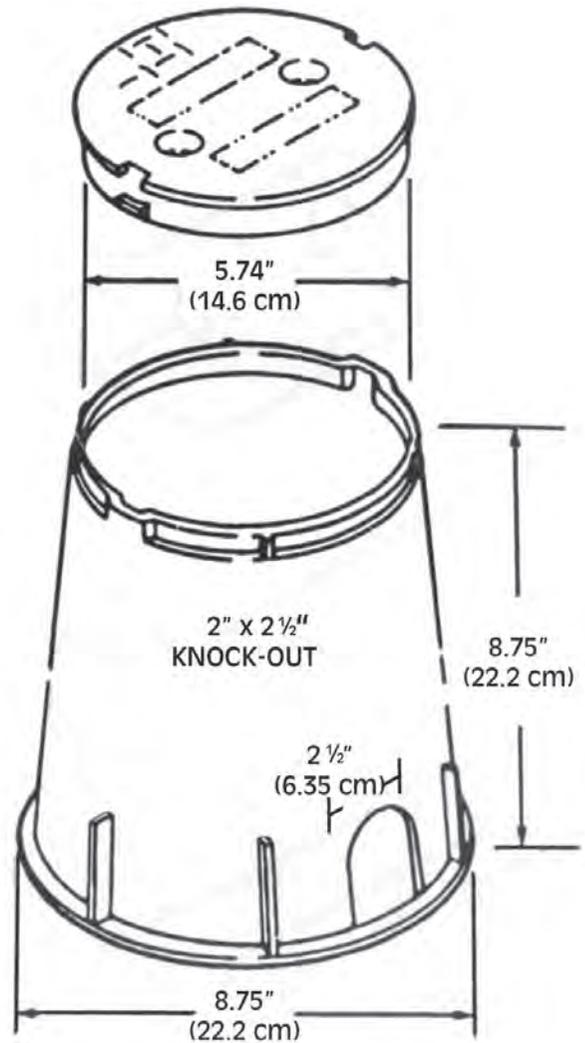
**STANDARD MARKING AVAILABLE (BLANK • CATV • ELECTRIC)**



**SERIES 610 (6" ROUND) GREEN**

- 256 PER PALLET
- BODY & COVER
- BODY
- COVER

610-1G2G	1.32 LBS.	.60 KG
610-1G	1.07 LBS.	.49 KG
610-2G	.25 LBS.	.11 KG



**SPECIAL FEATURES**

- TWIST LOCK COVER
- STRONGER LOAD STRENGTH
- UV INHIBITORS TO PREVENT DISCOLORATION & CRACKING
- AVAILABLE WITH NO PORT

**OTHER STOCK COLORS AVAILABLE**

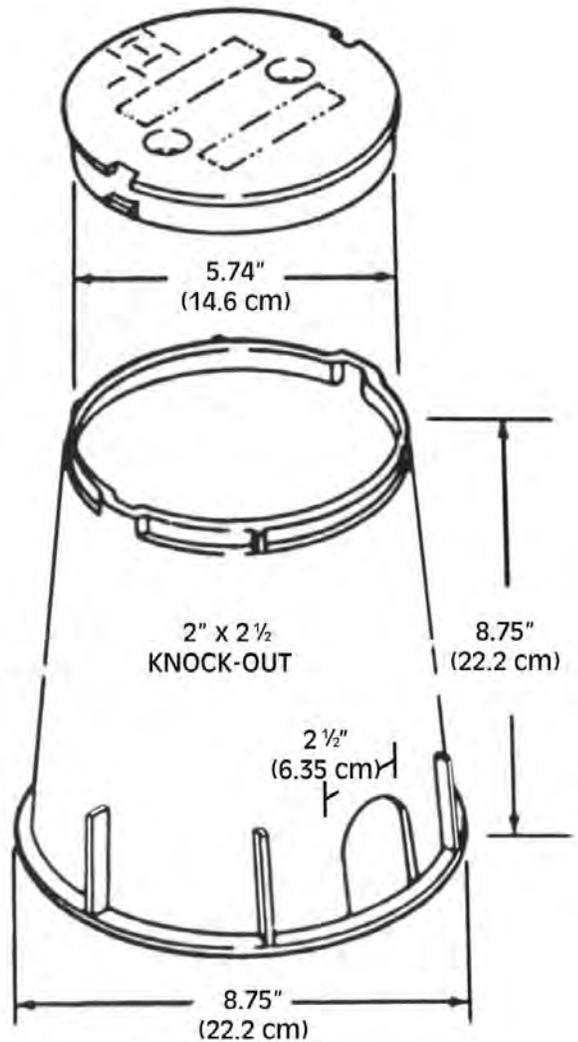
- TAN
- BLACK
- LAVENDER

**STANDARD MARKINGS AVAILABLE (BLANK • ELECTRIC • CATV)**

## SERIES 610 (6" ROUND) TAN

■ 256 PER PALLET

■ BODY & COVER	610-1T2T	1.32 LBS.	.60 KG
■ BODY	610-1T	1.07 LBS.	.49 KG
■ COVER	610-2T	.25 LBS.	.11 KG



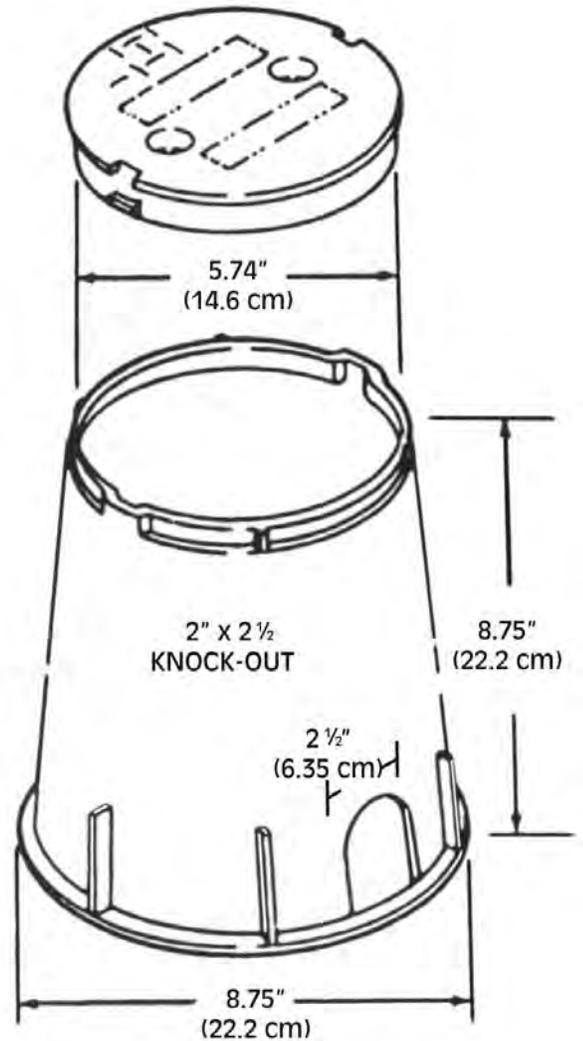
### SPECIAL FEATURES

- TWIST LOCK COVER
- STRONGER LOAD STRENGTH
- UV INHIBITORS TO PREVENT DISCOLORATION & CRACKING

**STANDARD MARKINGS AVAILABLE (BLANK)**

## SERIES 610 (6" ROUND) BLACK

■ 256 PER PALLET				
■ BODY & COVER	610-1B2B	1.32 LBS.	.60 KG	
■ BODY	610-1B	1.07 LBS.	.49 KG	
■ COVER	610-2B	.25 LBS.	.11 KG	



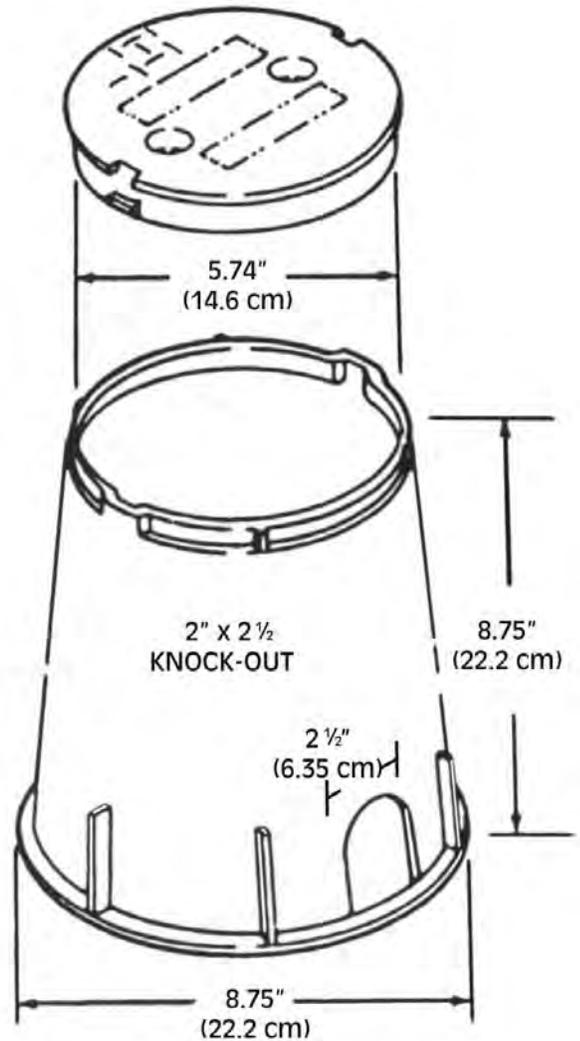
### SPECIAL FEATURES

- TWIST LOCK COVER
- STRONGER LOAD STRENGTH
- UV INHIBITORS TO PREVENT DISCOLORATION & CRACKING

**STANDARD MARKINGS AVAILABLE (BLANK)**

## SERIES 610 (6" ROUND) LAVENDER

■ 256 PER PALLET				
■ BODY & COVER	610-1L2L	1.32 LBS.	.60 KG	
■ BODY	610-1L	1.07 LBS.	.49 KG	
■ COVER	610-2L	.25 LBS.	.11 KG	



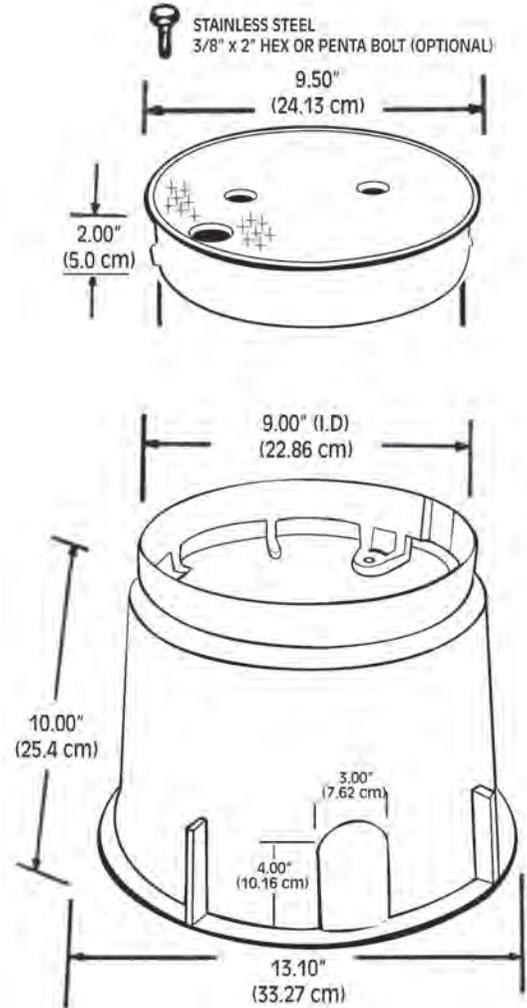
### SPECIAL FEATURES

- TWIST LOCK COVER
- STRONGER LOAD STRENGTH
- UV INHIBITORS TO PREVENT DISCOLORATION & CRACKING

**STANDARD MARKINGS AVAILABLE (BLANK)**

## SERIES 910L (10" ROUND) GREEN

■ 90 PER PALLET			
■ BODY & COVER	910L-1G2G	4.00 LBS.	1.81 KG
■ BODY	910L-1G	2.75 LBS.	1.24 KG
■ COVER	910L-2G	1.25 LBS.	57 KG



### SPECIAL FEATURES

- TWIST LOCK COVER
- STRONGER LOAD STRENGTH
- UV INHIBITORS TO PREVENT DISCOLORATION & CRACKING
- MOLDED IN NYLON NUT FOR BOLT
- HEAVY DUTY CONSTRUCTION

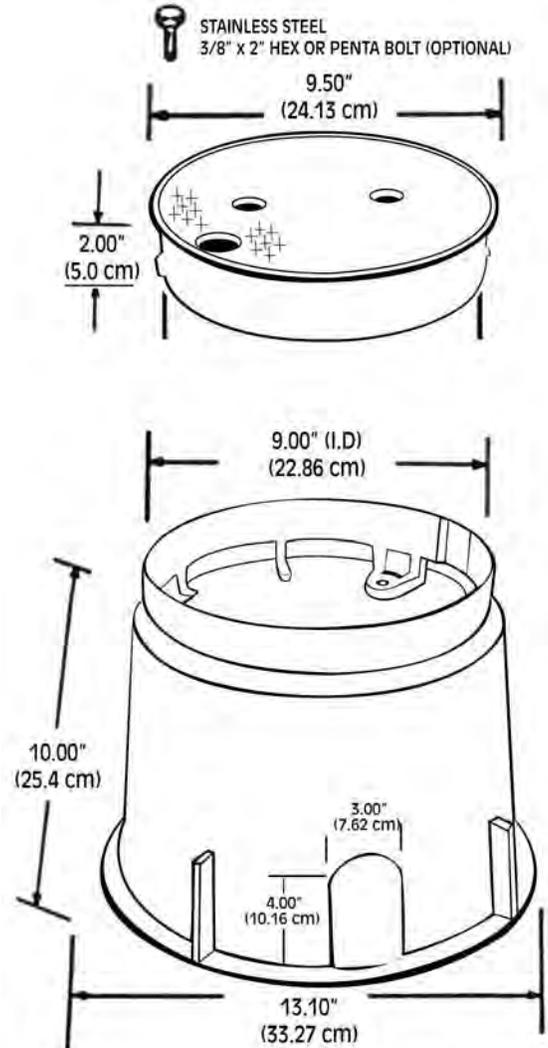
### OTHER STOCK COLORS AVAILABLE

- TAN
- BLACK
- GRAY
- LAVENDER

**STANDARD MARKINGS AVAILABLE ( IRRIGATION CONTROL • CATV • WATER • SEWER • TELEPHONE • ELECTRIC • BLANK • RECLAIMED WATER )**

## SERIES 910L (10" ROUND) TAN

■ 90 PER PALLET				
■ BODY & COVER	910L-1T2T	3.84 LBS.	1.74 KG	
■ BODY	910L-1T	2.59 LBS.	1.17 KG	
■ COVER	910L-2T	1.25 LBS.	.57 KG	



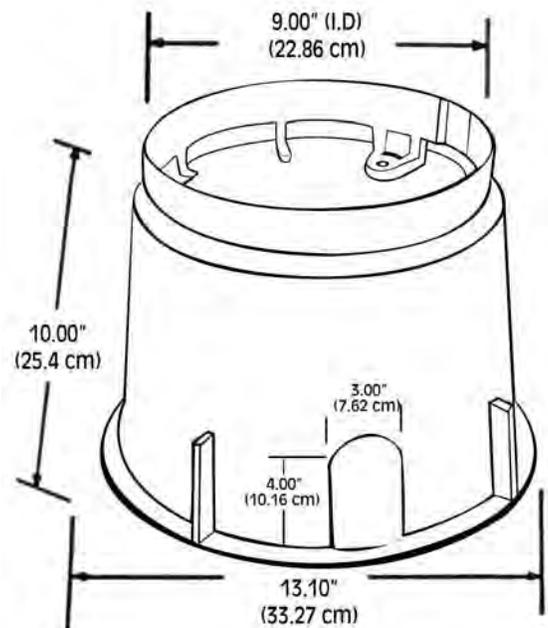
### SPECIAL FEATURES

- TWIST LOCK COVER
- STRONGER LOAD STRENGTH
- UV INHIBITORS TO PREVENT DISCOLORATION & CRACKING
- MOLDED IN NYLON NUT FOR BOLT
- HEAVY DUTY CONSTRUCTION

**STANDARD MARKINGS AVAILABLE (IRRIGATION CONTROL VALVE)**

## SERIES 910L (10" ROUND) BLACK

■ 90 PER PALLET			
■ BODY & COVER	910L-1B2B	3.84 LBS.	1.74 KG
■ BODY	910L-1B	2.59 LBS.	1.17 KG
■ COVER	910L-2B	1.25 LBS.	.57 KG



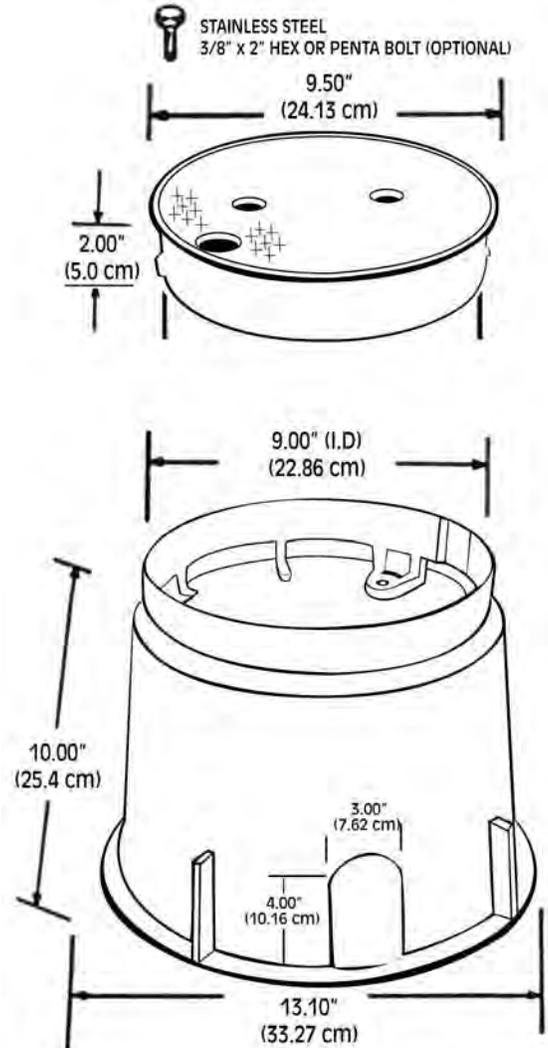
### SPECIAL FEATURES

- TWIST LOCK COVER
- STRONGER LOAD STRENGTH
- UV INHIBITORS TO PREVENT DISCOLORATION & CRACKING
- MOLDED IN NYLON NUT FOR BOLT
- HEAVY DUTY CONSTRUCTION

**STANDARD MARKINGS AVAILABLE  
(IRRIGATION CONTROL VALVE (ICV) • ELECTRIC)**

## SERIES 910L (10" ROUND) GRAY

■ 90 PER PALLET				
■ BODY & COVER	910L-1GY2GY	3.84 LBS.	1.74 KG	
■ BODY	910L-1GY	2.59 LBS.	1.17 KG	
■ COVER	910L-2GY	1.25 LBS.	.57 KG	



### SPECIAL FEATURES

- TWIST LOCK COVER
- STRONGER LOAD STRENGTH
- UV INHIBITORS TO PREVENT DISCOLORATION & CRACKING
- MOLDED IN NYLON NUT FOR BOLT
- HEAVY DUTY CONSTRUCTION

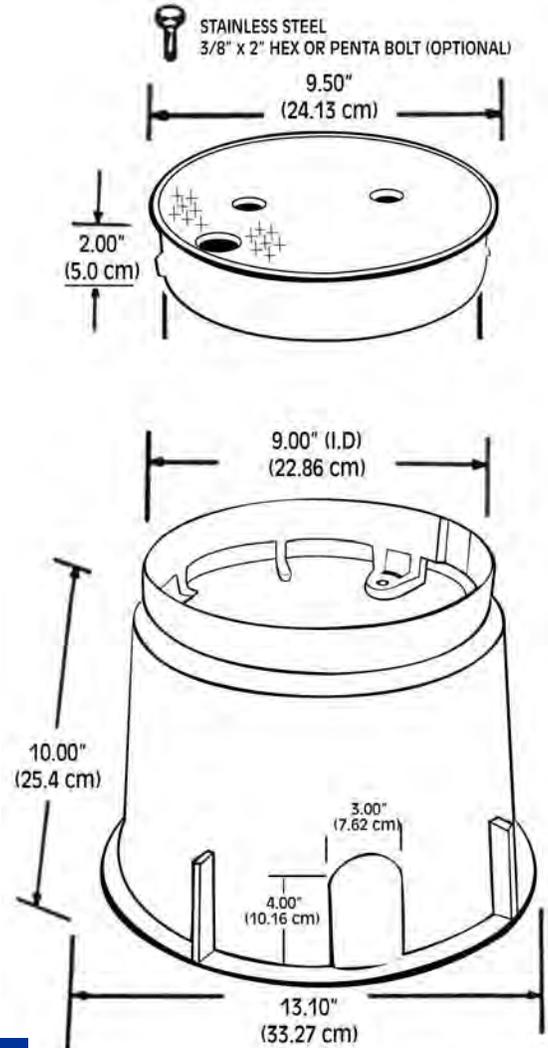
**STANDARD MARKINGS AVAILABLE (ELECTRIC)**



## SERIES 910L (10" ROUND) LAVENDER

■ 90 PER PALLET

■ BODY & COVER	910L-1L2L	3.84 LBS.	1.74 KG
■ BODY	910L-1L	2.59 LBS.	1.17 KG
■ COVER	910L-2L	1.25 LBS.	.57 KG



### SPECIAL FEATURES

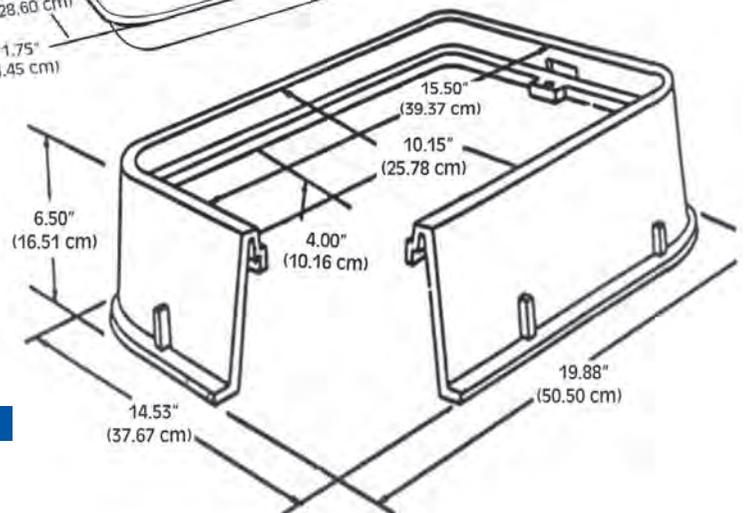
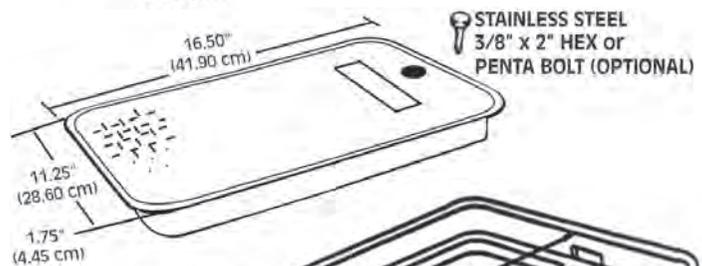
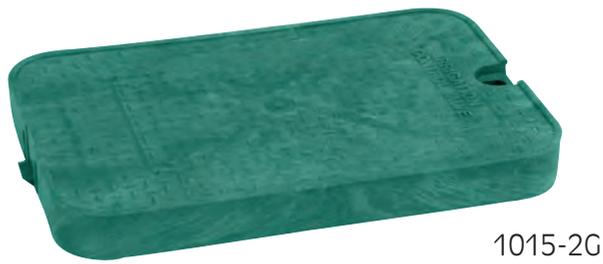
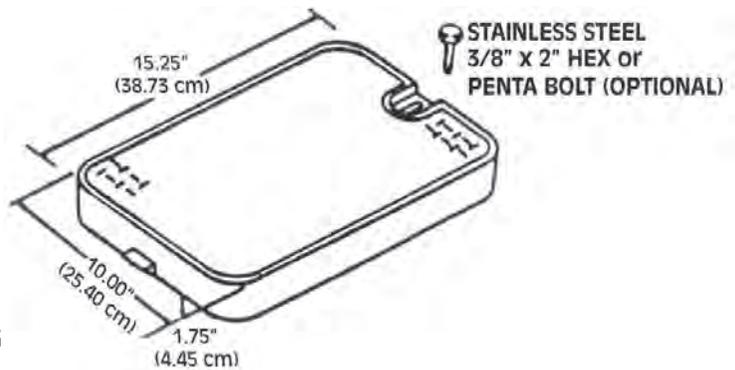
- TWIST LOCK COVER
- STRONGER LOAD STRENGTH
- UV INHIBITORS TO PREVENT DISCOLORATION & CRACKING
- MOLDED IN NYLON NUT FOR BOLT
- HEAVY DUTY CONSTRUCTION

**STANDARD MARKINGS AVAILABLE  
(RECLAIMED WATER • IRRIGATION CONTROL VALVE)**

**SERIES 1015-6G (6" HIGH) BODY GREEN**

■ 60 PER PALLET

■ BODY & COVER	1015-6G2G	6.42 LBS.	2.91 KG
■ BODY	1015-6G	4.15 LBS.	1.88 KG
■ STANDARD DROP-IN COVER	1015-2G	2.27 LBS.	1.03 KG
■ "T" COVER	1015T-2G	2.24 LBS.	1.02 KG



**SPECIAL FEATURES**

- FOR USE WITH SHALLOW PIPE INSTALLATION
- NESTABLE FOR STORAGE OR SHIPPING
- HEAVY DUTY CONSTRUCTION
- MOLDED IN NYLON NUT FOR BOLT
- UV INHIBITORS TO PREVENT DISCOLORATION & CRACKING

**AVAILABLE IN GREEN ONLY. OTHER COLORS MAY BE AVAILABLE BY SPECIAL REQUEST.**

**STANDARD MARKINGS AVAILABLE (IRRIGATION CONTROL VALVE (ICV))**  
• ELECTRIC • SEWER • WATER • BLANK (NO COVER MARKINGS)

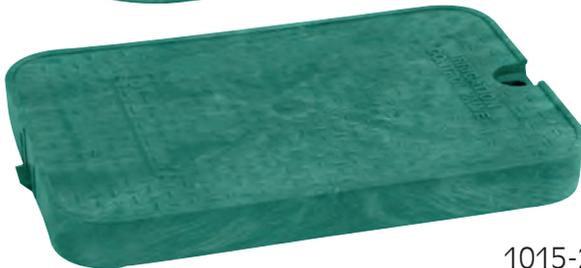
## SERIES 1015-XG (6" High) Top EXTENSION GREEN

**48 PER PALLET**

BODY & COVER	1015-XG2G	6.42 LBS.	2.91 KG
BODY	1015-XG	4.15 LBS.	1.88 KG
COVER	1015-2G	2.27 LBS.	1.03 KG
"T" COVER	1015-T2G	2.24 LBS.	1.02 KG



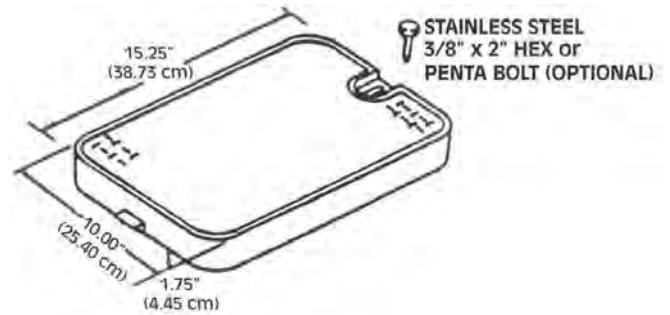
1015-XG



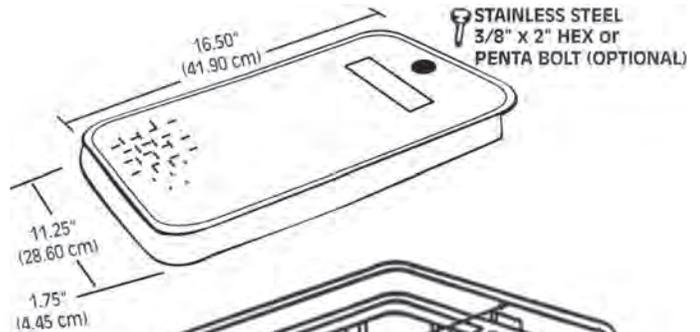
1015-2G



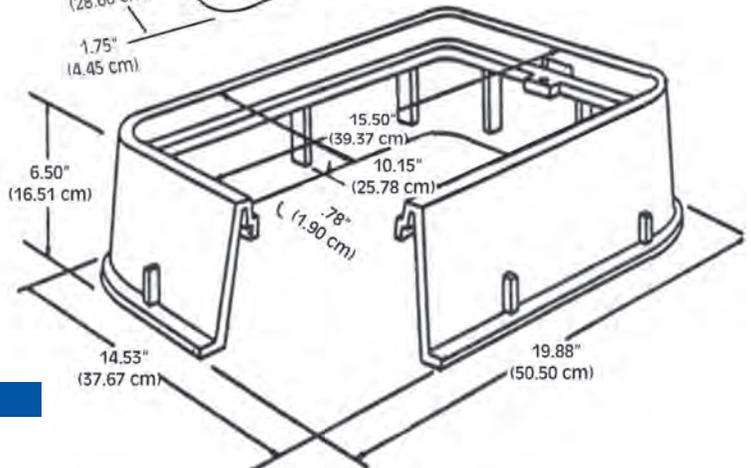
1015T-2G



STAINLESS STEEL  
3/8" x 2" HEX or  
PENTA BOLT (OPTIONAL)



STAINLESS STEEL  
3/8" x 2" HEX or  
PENTA BOLT (OPTIONAL)



### SPECIAL FEATURES

- FOR USE WITH SHALLOW PIPE INSTALLATION
- NESTABLE FOR STORAGE OR SHIPPING
- HEAVY DUTY CONSTRUCTION
- MOLDED IN NYLON NUT FOR BOLT
- UV INHIBITORS TO PREVENT DISCOLORATION & CRACKING

### OTHER STOCK COLORS AVAILABLE

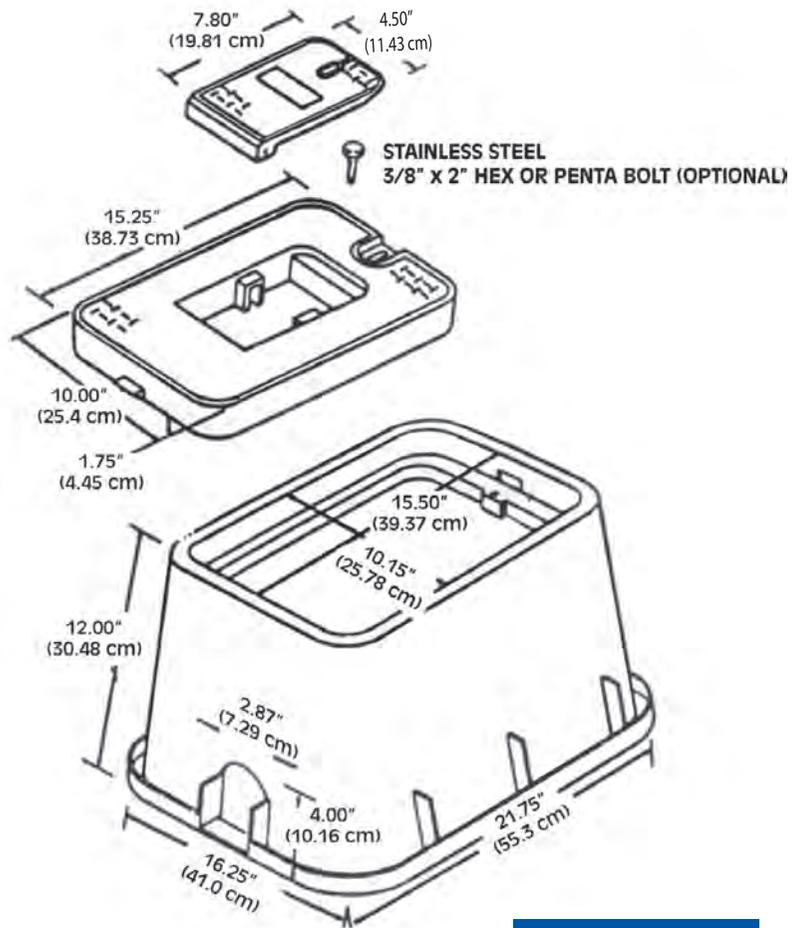
- TAN
- BLACK
- LAVENDER

**STANDARD MARKINGS AVAILABLE (IRRIGATION CONTROL VALVE (ICV))**  
 • ELECTRIC • SEWER • WATER • BLANK (NO COVER MARKINGS)

**SERIES 1015 (12" HIGH) HEAVY DUTY VALVE BOX GREEN**

**60 PER PALLET**

<b>■</b> BODY WITH STD. DROP-IN COVER	1015-1G2G	10.00 LBS.	4.54 KG
<b>■</b> BODY WITH "T" COVER	1015T-1G2G	9.97 LBS.	4.52 KG
<b>■</b> BODY W/METER READER COVER	1015-1G3G	10.13 LBS.	4.49 KG
<b>■</b> BODY	1015-1G	7.73 LBS.	3.50 KG
<b>■</b> 1. STD. DROP-IN COVER	1015-2G	2.27 LBS.	1.03 KG
<b>■</b> 2. "T" COVER	1015T-2G	2.24 LBS.	1.02 KG
<b>■</b> 3. COVER WITH METER DOOR	1015-3G	2.18 LBS.	.99 KG



**SPECIAL FEATURES**

- HEAVY DUTY CONSTRUCTION
- MOLDED IN NYLON NUT FOR BOLT
- UV INHIBITOR TO PREVENT DISCOLORING & CRACKING
- NESTABLE FOR STORAGE OR SHIPPING

**OTHER STOCK COLORS AVAILABLE**

- BLACK
- GRAY
- LAVENDER
- TAN

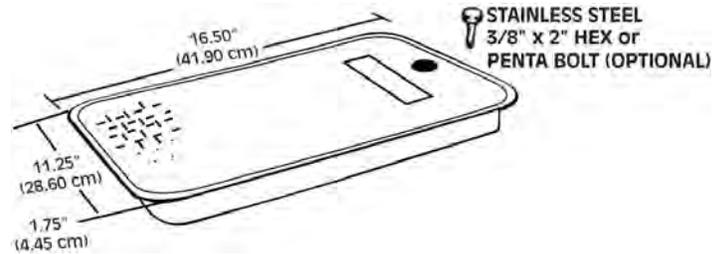
**STANDARD MARKINGS AVAILABLE (IRRIGATION CONTROL VALVE • WATER (SOLID OR METER DOOR) • SEWER • ELECTRIC • RECLAIMED WATER • CATV • TELEPHONE • BLANK)**

## SERIES 1015 (12" HIGH) HEAVY DUTY VALVE BOX BLACK

■ 60 PER PALLET			
■ BODY WITH DROP-IN COVER	1015-1B2B	10.00 LBS.	4.53 KG
■ BODY WITH "T" COVER	1015T-1B2B	9.97 LBS.	4.52 KG
■ BODY WITH METER READER COVER	1015-1B3B	10.13 LBS.	4.49 KG
■ BODY	1015-1B	7.73 LBS.	3.50 KG
■ 1. DROP-IN COVER	1015-2B	2.27 LBS.	1.03 KG
■ 2. "T" COVER	1015T-2B	2.24 LBS.	1.02 KG
■ 3. COVER WITH METER DOOR	1015-3B	2.18 LBS.	.99KG



1015-1B



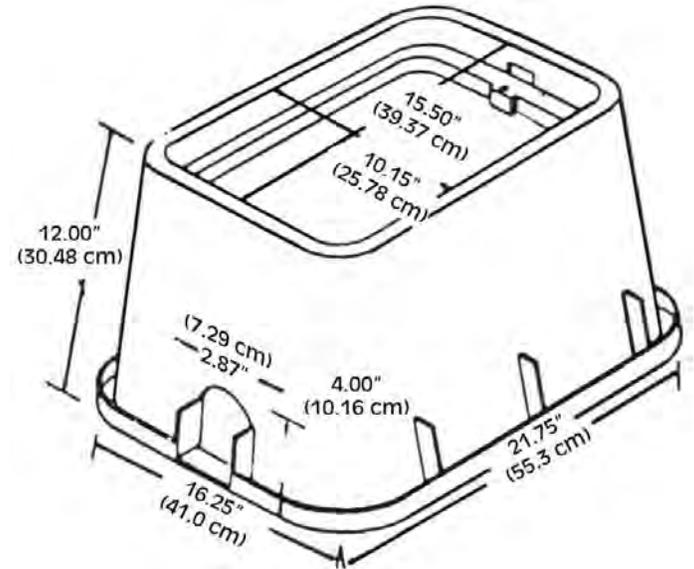
1.  
1015-2B



2.  
1015T-2B



3  
1015-3B



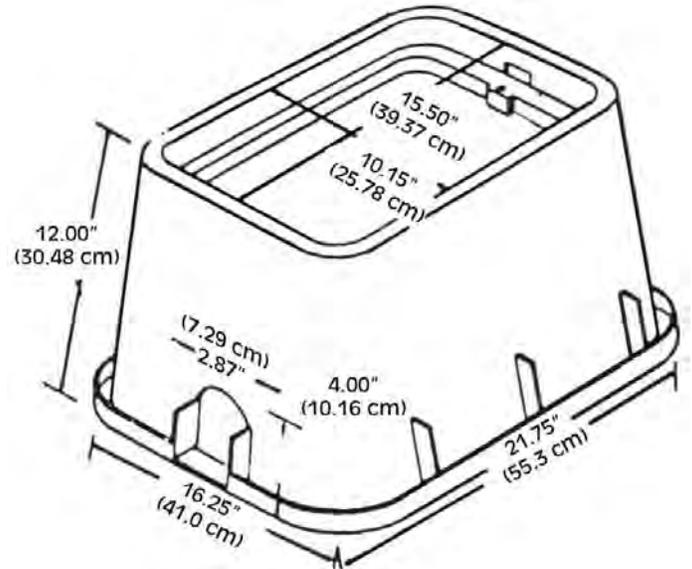
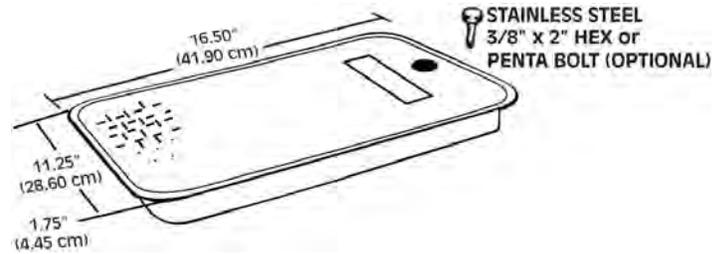
### SPECIAL FEATURES

- HEAVY DUTY CONSTRUCTION
- MOLDED IN NYLON NUT FOR BOLT
- SINGLE OR NO PORT
- UV INHIBITOR TO PREVENT DISCOLORING & CRACKING
- NESTABLE FOR STORAGE OR SHIPPING

**STANDARD MARKINGS AVAILABLE (IRRIGATION CONTROL VALVE**  
**• WATER (SOLID OR METER DOOR) • ELECTRIC • WATER)**

**SERIES 1015 (12" HIGH) HEAVY DUTY VALVE BOX GRAY**

- 60 PER PALLET
- BODY WITH "T" COVER      1015T-1GY2GY      9.97 LBS.      4.52 KG
- "T" COVER                      1015T-2GY              2.24 LBS.      1.02 KG
- BODY                              1015T-1GY              7.73 LBS.      3.50 KG



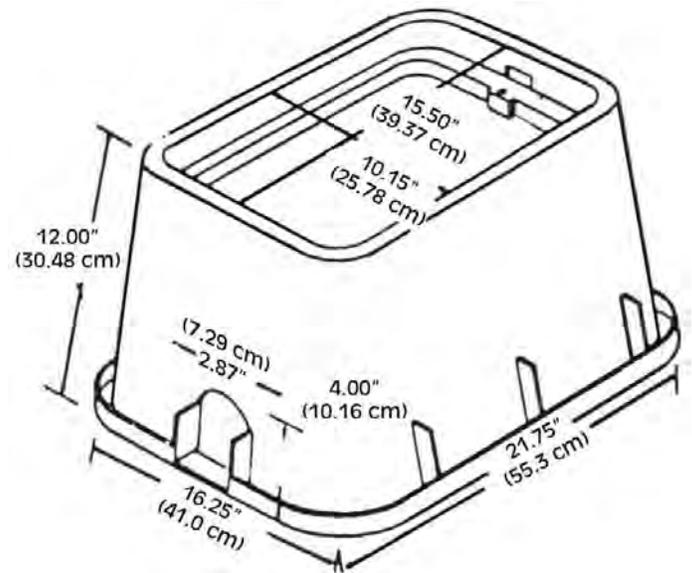
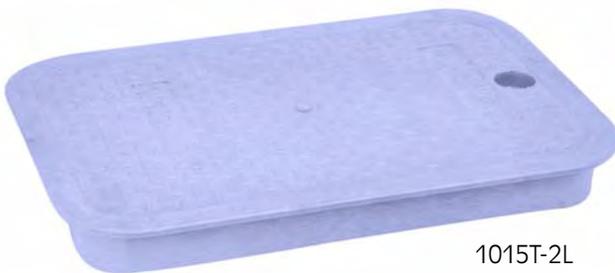
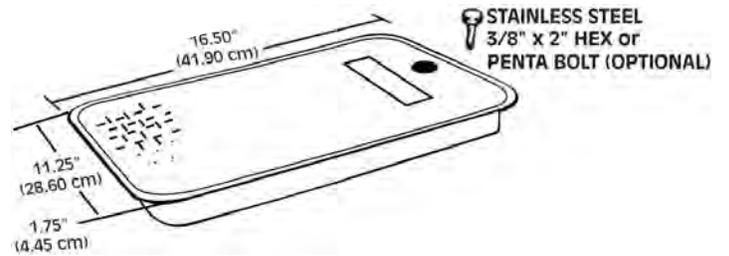
**SPECIAL FEATURES**

- HEAVY DUTY CONSTRUCTION
- SINGLE OR NO PORT
- NESTABLE FOR STORAGE OR SHIPPING
- UV INHIBITOR TO PREVENT DISCOLORING & CRACKING
- MOLDED IN NYLON NUT FOR BOLT

**STANDARD MARKINGS AVAILABLE (ELECTRIC)**

## SERIES 1015 (12" HIGH) HEAVY DUTY VALVE BOX LAVENDER

■ 60 PER PALLET				
■ BODY WITH "T" COVER	1015T-1L2L	9.97 LBS.	4.52 KG	
■ "T" COVER	1015T-2L	2.24 LBS.	1.02 KG	
■ BODY	1015-1L	7.73 LBS.	3.50 KG	



### SPECIAL FEATURES

- HEAVY DUTY CONSTRUCTION
- MOLDED IN NYLON NUT FOR BOLT
- SINGLE OR NO PORT
- UV INHIBITOR TO PREVENT DISCOLORING & CRACKING
- NESTABLE FOR STORAGE OR SHIPPING

STANDARD MARKINGS AVAILABLE (RECLAIMED WATER • ICV)

**SERIES 1015 (12" HIGH) HEAVY DUTY VALVE BOX TAN**

■ 60 PER PALLET

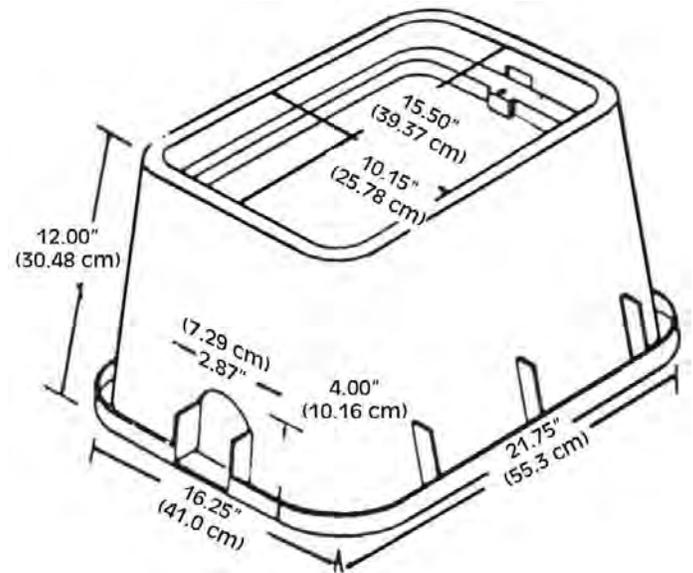
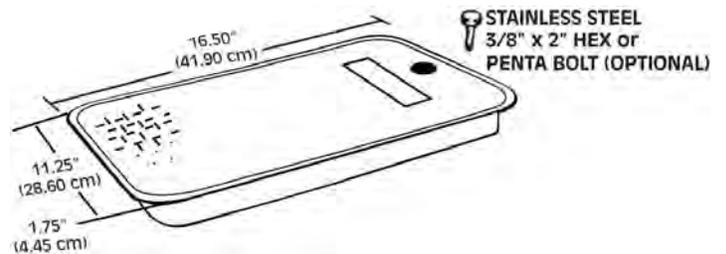
■ BODY WITH "T" COVER	1015T-1T2T	9.97 LBS.	4.52 KG
■ "T" COVER	1015T-2T	2.24 LBS.	1.02 KG
■ BODY	1015T-T	7.73 LBS.	3.50 KG



1015-1T



1015T-2T



**SPECIAL FEATURES**

- HEAVY DUTY CONSTRUCTION
- SINGLE OR NO PORT
- MOLDED IN NYLON NUT FOR BOLT
- NESTABLE FOR STORAGE OR SHIPPING
- UV INHIBITOR TO PREVENT DISCOLORING & CRACKING

**STANDARD MARKINGS AVAILABLE (IRRIGATION CONTROL VALVE)**



## SERIES 1015 (12" HIGH) HEAVY DUTY VALVE BOX GREEN WITH HINGED COVER

■ 60 PER PALLET			
■ BODY WITH HINGED COVER	1015-1G4G	10.00 LBS.	4.54 KG
■ BODY	1015-1G	7.73 LBS.	3.50 KG
■ HINGED COVER	1015-4G	2.27 LBS.	1.03 KG

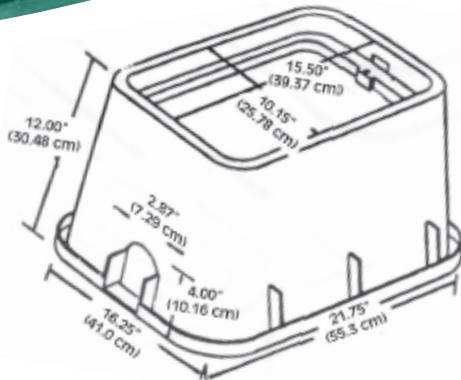


10" X 15.25"

**1015-4G  
HINGED  
COVER**



**1015-1G  
BODY**



**1015-1G4G  
BODY & COVER**

**STOCK COLORS  
AVAILABLE**

- GREEN
- TAN (ICV ONLY)

## SPECIAL FEATURES

- HEAVY DUTY CONSTRUCTION
- MOLDED IN NYLON NUT FOR BOLT
- UV INHIBITOR TO PREVENT DISCOLORING & CRACKING
- NESTABLE FOR STORAGE OR SHIPPING
- COVER CANNOT BE EASILY REMOVED OR LOST IN THE FIELD
- EASY ACCESS TO IRRIGATION COMPONENTS

**STANDARD MARKING AVAILABLE (IRRIGATION CONTROL VALVE • ELECTRIC)**

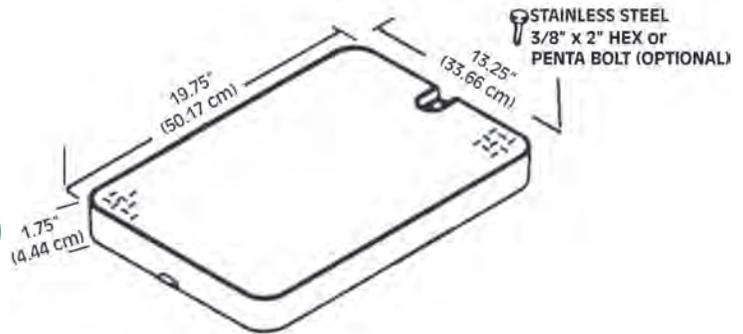
**SERIES 1320-6G (6" HIGH) BODY GREEN**

■ 48 PER PALLET

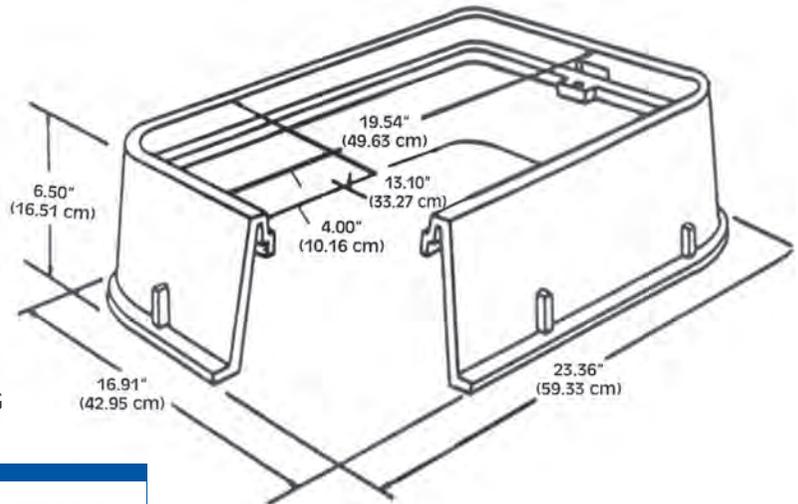
■ BODY & COVER	1320-6G2G	8.54 LBS.	3.87 KG
■ BODY	1320-6G	4.99 LBS.	2.27 KG
■ COVER	1320-2G	3.55 LBS.	1.60 KG



1320-6G



1320-2G



**AVAILABLE IN GREEN ONLY. OTHER COLORS MAY BE AVAILABLE BY SPECIAL REQUEST.**

**SPECIAL FEATURES**

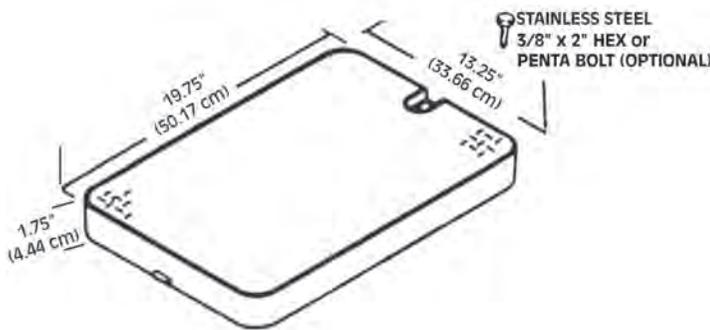
- FOR USE WITH SHALLOW PIPE INSTALLATION
- NESTABLE FOR STORAGE OR SHIPPING
- HEAVY DUTY CONSTRUCTION
- MOLDED IN NYLON NUT FOR BOLT

**STANDARD MARKINGS AVAILABLE (IRRIGATION CONTROL VALVE • WATER (SOLID OR METER READER) • SEWER • ELECTRIC (GREEN) • CATV • TELEPHONE • BLANK)**

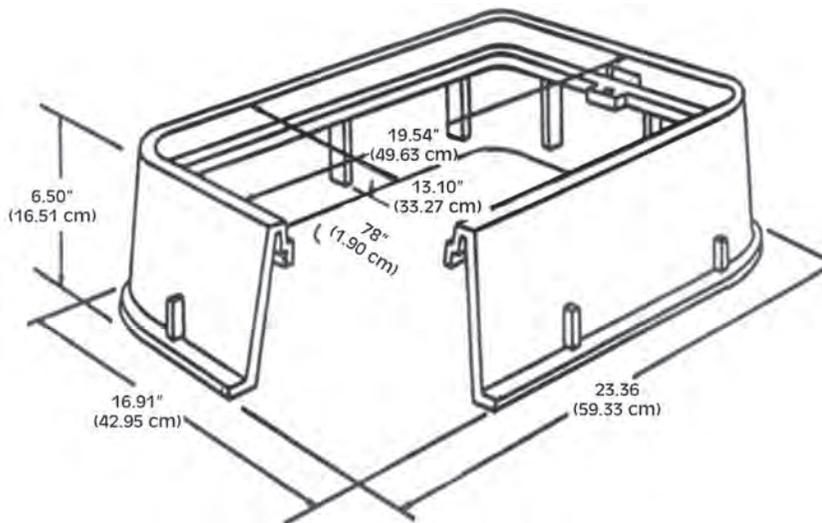
**SERIES 1320-XG (6" HIGH) EXTENSION BODY GREEN**

■ 32 PER PALLET

■ BODY & COVER	1320-XG2G	8.55 LBS.	3.88 KG
■ BODY	1320-XG	5.00 LBS.	2.28 KG
■ COVER	1320-2G	3.55 LBS.	1.60 KG



1320-XG



1320-2G STD

■ FOR USE IN NON-VEHICLE TRAFFIC AREA

**OTHER STOCK COLORS AVAILABLE**

- BLACK
- GRAY
- LAVENDER
- TAN

**SPECIAL FEATURES**

- 6" EXTENSION FOR 1320 BODY
- HEAVY DUTY CONSTRUCTION
- U.V. INHIBITOR TO PREVENT DISCOLORATION & CRACKING
- MOLDED IN NYLON NUT FOR BOLT

**STANDARD MARKING AVAILABLE (IRRIGATION CONTROL VALVE • RECLAIMED WATER (GREEN) • WATER (SOLID OR METER READER) • SEWER • ELECTRIC • CATV • TELEPHONE • BLANK)**

**SERIES 1320 "JUMBO" (12" HIGH) VALVE BOX GREEN**

■ 40 PER PALLET

■ BODY & SOLID COVER	1320-1G2G	13.13 LBS.	5.96 KG
■ BODY METER READER COVER	1320-1G3G	13.33 LBS.	6.05 KG
■ BODY	1320-1G	9.58 LBS.	4.36 KG
■ COVER	1320-2G	3.55 LBS.	1.60 KG
■ COVER WITH METER DOOR	1320-3G	3.75 LBS.	1.70 KG



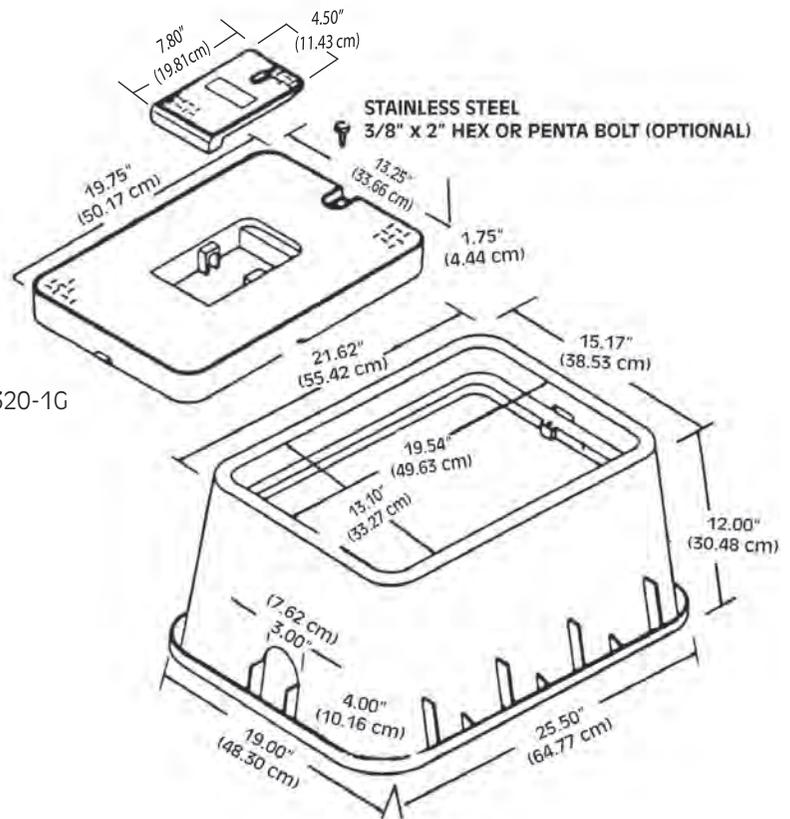
1320-1G



1320-2G



1320-3G



■ FOR USE IN NON-VEHICLE TRAFFIC AREA

**OTHER STOCK COLORS AVAILABLE**

- BLACK
- LAVENDER
- GRAY
- TAN

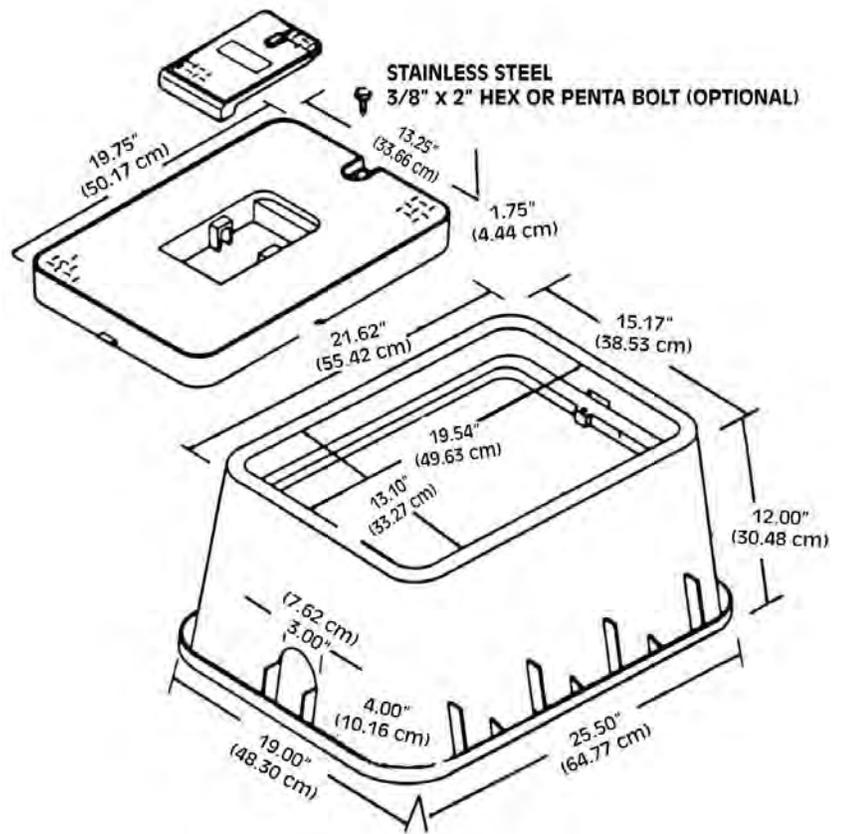
**SPECIAL FEATURES**

- HEAVY DUTY CONSTRUCTION
- MOLDED IN NYLON NUT FOR BOLT
- UV INHIBITOR TO PREVENT DISCOLORING & CRACKING
- CAST IRON OR POLY METER READER COVER

**STANDARD MARKINGS AVAILABLE (IRRIGATION CONTROL VALVE • WATER (SOLID OR METER READER) • SEWER • ELECTRIC (GREEN) • CATV • TELEPHONE • BLANK ( NO COVER MARKING)**

## SERIES 1320 "JUMBO" (12" HIGH) VALVE BOX BLACK

■ 40 PER PALLET			
■ BODY & SOLID COVER	1320-1B2B	13.13 LBS.	5.96 KG
■ BODY WITH METER READER COVER	1320-1B3B	13.33 LBS.	6.05 KG
■ BODY	1320-1B	9.58 LBS.	4.36 KG
■ COVER	1320-2B	3.55 LBS.	1.60 KG
■ COVER WITH METER DOOR	1320-3B	3.75 LBS.	1.69 KG



■ FOR USE IN NON-VEHICLE TRAFFIC AREA

### SPECIAL FEATURES

- HEAVY DUTY CONSTRUCTION
- MOLDED IN NYLON NUT FOR BOLT
- UV INHIBITOR TO PREVENT DISCOLORING & CRACKING
- CAST IRON OR POLY METER READER COVER

**STANDARD MARKINGS AVAILABLE**  
 (IRRIGATION CONTROL VALVE • WATER (SOLID OR METER READER) • ELECTRIC • TELEPHONE )

## SERIES 1320 "JUMBO" (12" HIGH) VALVE BOX LAVENDER

■ 40 PER PALLET

■ BODY & SOLID COVER

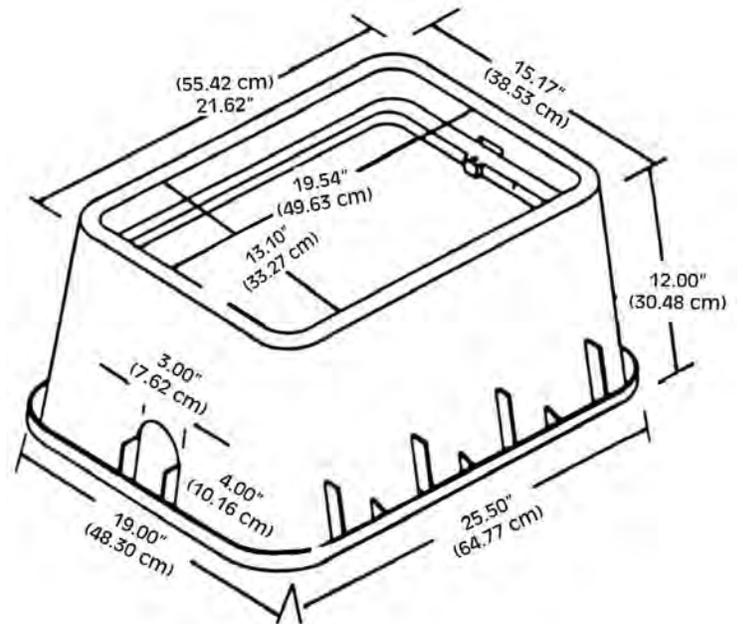
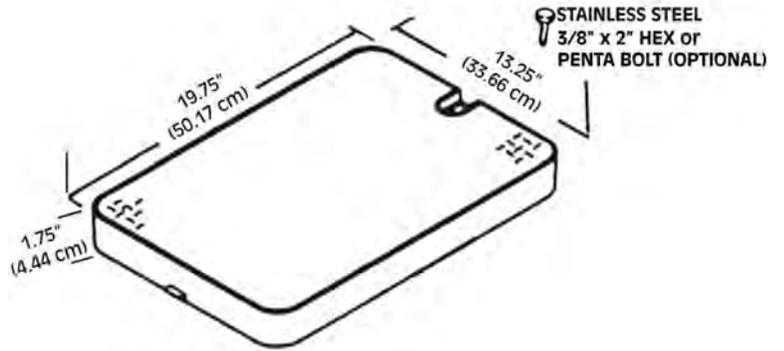
1320-1L2L 13.13 LBS. 5.96 KG

■ BODY

1320-1L 9.58 LBS. 4.36 KG

■ COVER

1320-2L 3.55 LBS. 1.60 KG



■ FOR USE IN NON-VEHICLE TRAFFIC AREA

## SPECIAL FEATURES

- HEAVY DUTY CONSTRUCTION
- MOLDED IN NYLON NUT FOR BOLT
- UV INHIBITOR TO PREVENT DISCOLORING & CRACKING

STANDARD MARKINGS AVAILABLE (RECLAIMED WATER)

## SERIES 1320 "JUMBO" (12" HIGH) VALVE BOX GRAY

■ 40 PER PALLET

■ BODY & SOLID COVER

■ BODY

■ COVER

1320-1GY2GY

13.13 LBS. 5.96 KG

1320-1GY

9.58 LBS. 4.36 KG

1320-2GY

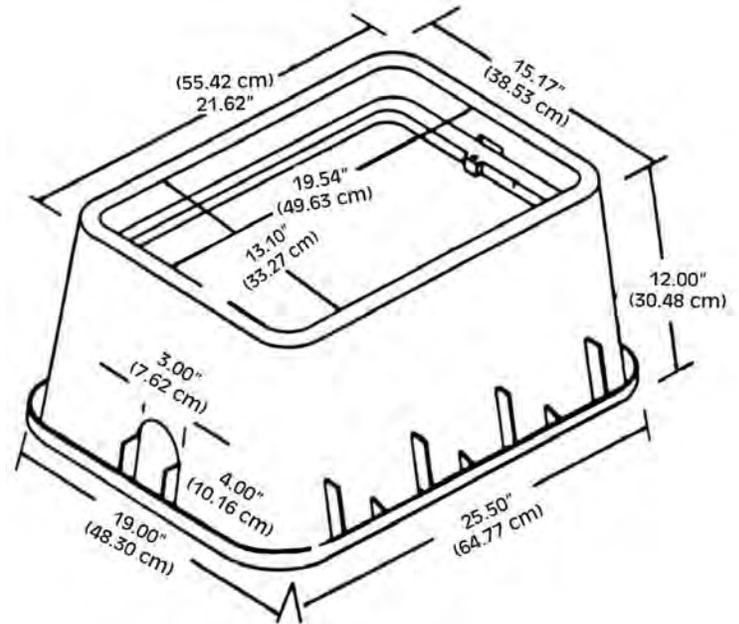
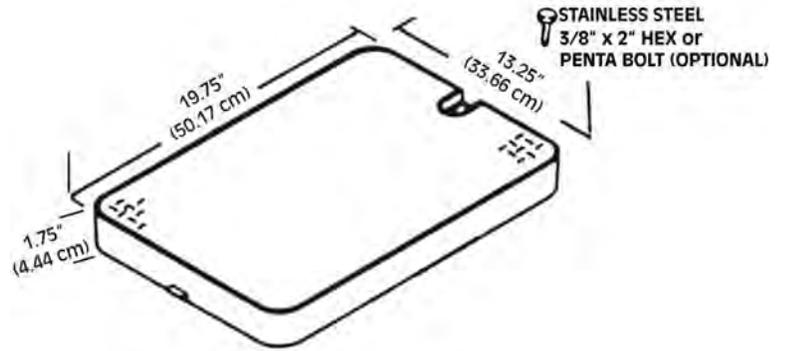
3.55 LBS. 1.60 KG



1320-1GY



1320-2GY



■ FOR USE IN NON-VEHICLE TRAFFIC AREA

### SPECIAL FEATURES

- HEAVY DUTY COMMERCIAL CONSTRUCTION
- MOLDED IN NYLON NUT FOR BOLT
- UV INHIBITOR TO PREVENT DISCOLORING & CRACKING

STANDARD MARKINGS AVAILABLE (ELECTRIC • TELEPHONE)

## SERIES 1320 "JUMBO" (12" HIGH) VALVE BOX TAN

■ 40 PER PALLET

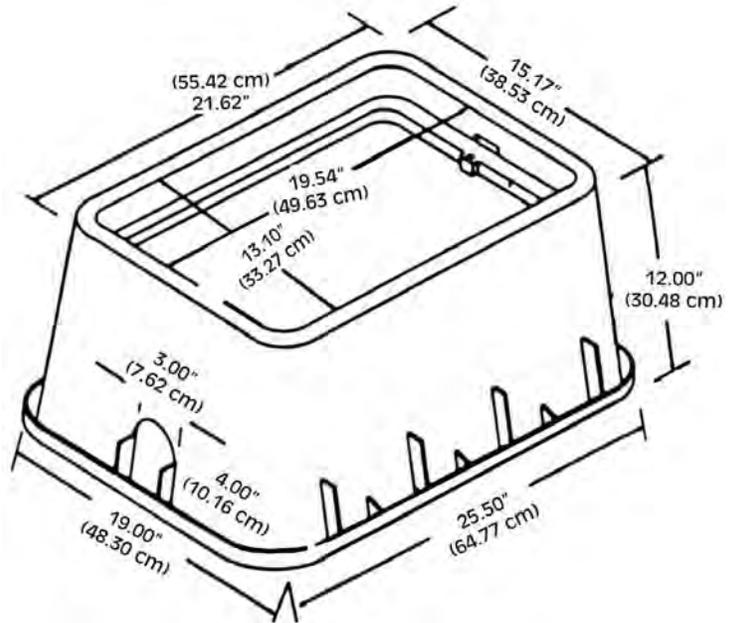
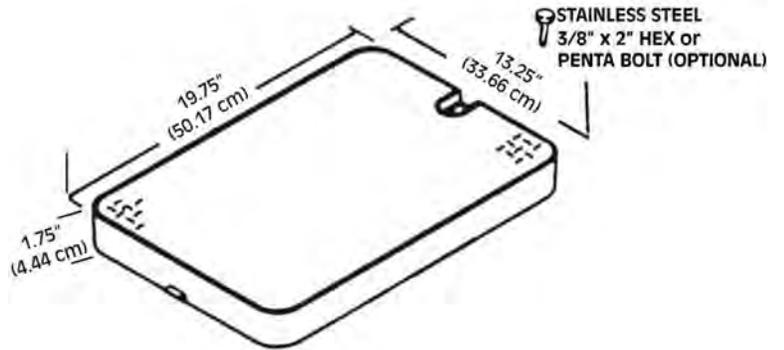
■ BODY & SOLID COVER	1320-1T2T	13.13 LBS.	5.96 KG
■ BODY	1320-1T	9.58 LBS.	4.36 KG
■ COVER	1320-2T	3.55 LBS.	1.60 KG



1320-1T



1320-2T



■ FOR USE IN NON-VEHICLE TRAFFIC AREA

### SPECIAL FEATURES

- HEAVY DUTY CONSTRUCTION
- MOLDED IN NYLON NUT FOR BOLT
- UV INHIBITOR TO PREVENT DISCOLORING & CRACKING

STANDARD MARKINGS AVAILABLE (IRRIGATION CONTROL VALVE)

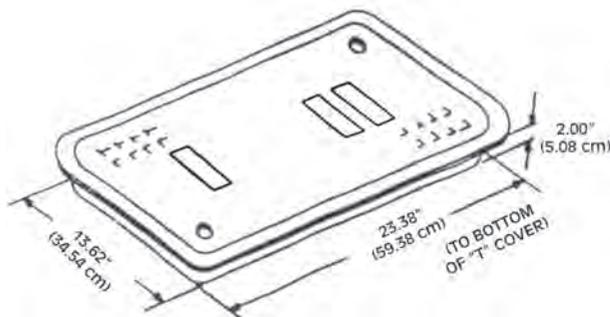
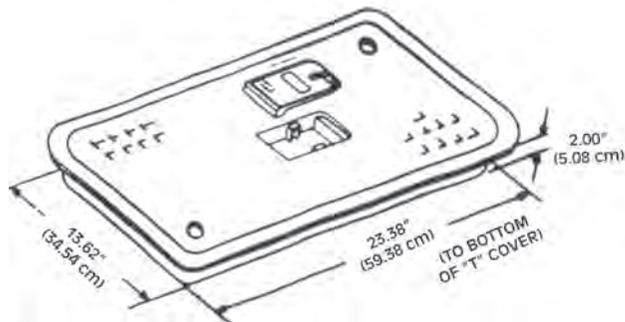


**SERIES 1324 (12" HIGH) UTILITY BOX GREEN**

■ 16 PER PALLET

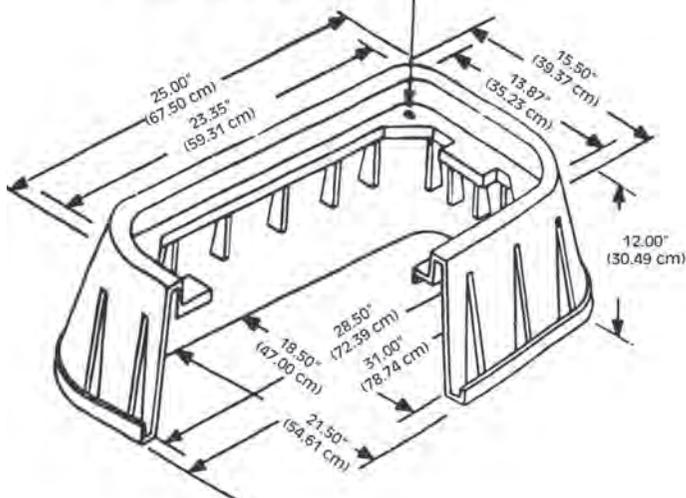
- BODY & COVER
- BODY WITH METER READER COVER
- BODY
- COVER
- COVER WITH METER READER DOOR

1324-12P2P	22.00 LBS.	9.98 KG
1324-12P3P	22.80 LBS.	10.34 KG
1324-12P	15.00 LBS.	6.80 KG
1324-2P	7.00 LBS.	3.18 KG
1324-3P	7.80 LBS.	3.54 KG



BOLTS - 3/8" X 2 1/2" STAINLESS STEEL

DIAGONAL BOLT DOWN PATTERN



■ FOR USE IN NON-VEHICLE TRAFFIC AREA



1324-3P



1324-2P



1324-12P

**SPECIAL FEATURES**

- UV INHIBITOR ADDED TO PREVENT DISCOLORING & CRACKING
- HEAVY DUTY COMMERCIAL CONSTRUCTION
- CAST IRON OR POLY METER READER COVER
- DIAGONAL BOLT DOWN PATTERN
- MOLDED IN NYLON NUT FOR BOLT

**OTHER STOCK COLORS AVAILABLE**

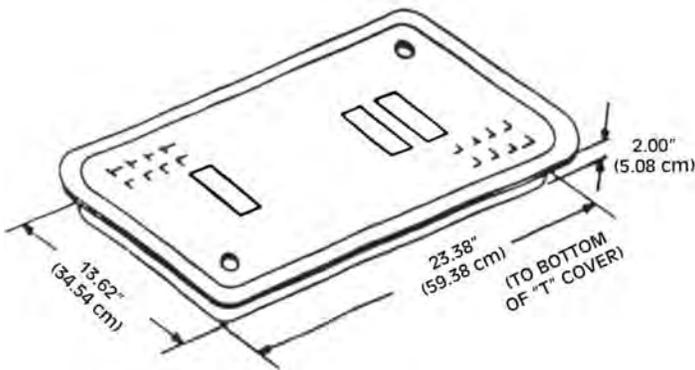
- BLACK
- GRAY

**STANDARD MARKINGS AVAILABLE (IRRIGATION CONTROL VALVE • WATER (SOLID OR WITH METER READER) • ELECTRIC • BLANK • TELEPHONE • CATV • RECLAIMED WATER • SEWER)**

## SERIES 1324 (12" HIGH) UTILITY BOX GRAY

■ 16 PER PALLET

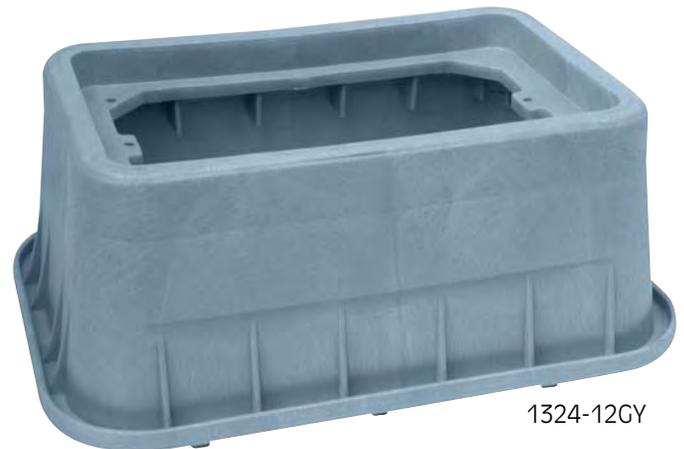
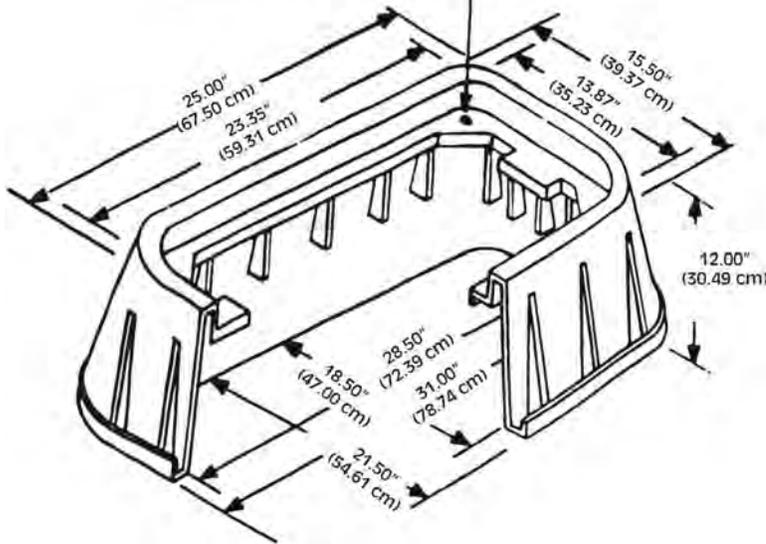
■ BODY & COVER	1324-12GY2GY	22.00 LBS.	9.98 KG
■ BODY	1324-12GY	15.00 LBS.	6.80 KG
■ COVER	1324-2GY	7.00 LBS.	3.18 KG



1324-2GY

BOLTS - 3/8" x 2 1/2" STAINLESS STEEL

DIAGONAL BOLT DOWN PATTERN



1324-12GY

■ FOR USE IN NON-VEHICLE TRAFFIC AREA

### SPECIAL FEATURES

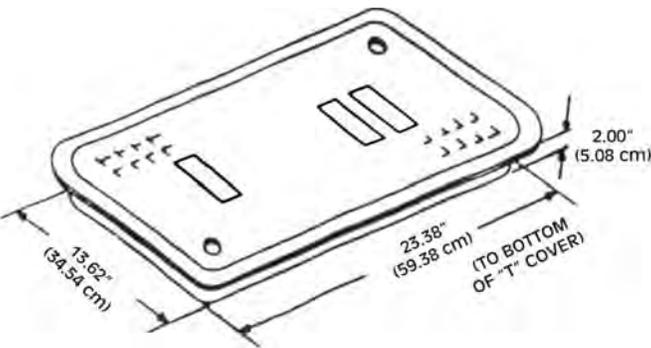
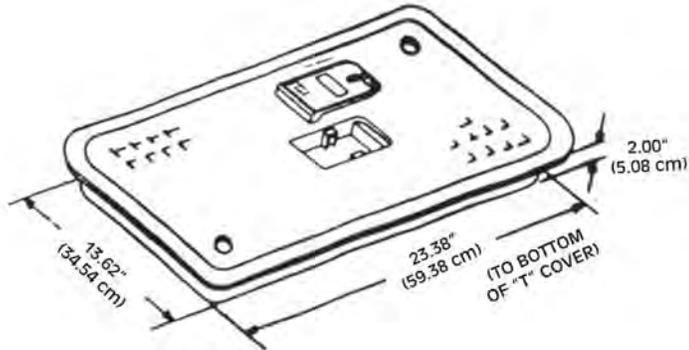
- UV INHIBITOR ADDED TO PREVENT DISCOLORING & CRACKING
- HEAVY DUTY COMMERCIAL CONSTRUCTION
- DIAGONAL BOLT DOWN PATTERN
- MOLDED IN NYLON NUT FOR BOLT

STANDARD MARKINGS AVAILABLE (ELECTRIC)

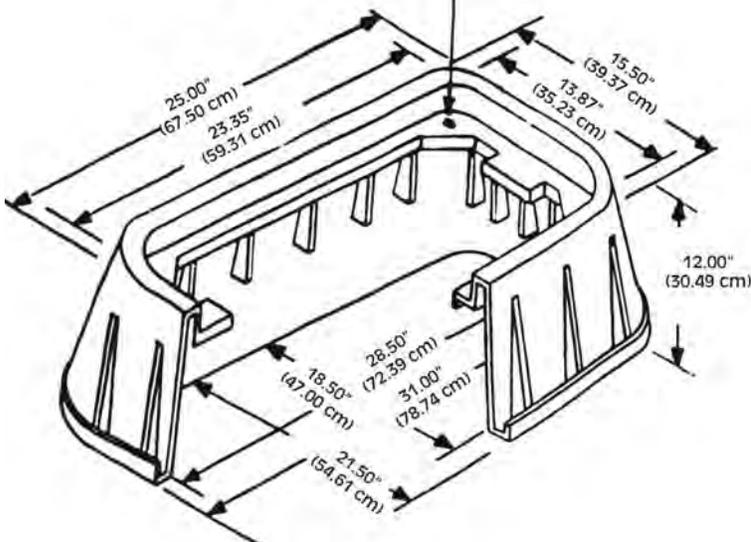
## SERIES 1324 (12" HIGH) UTILITY BOX BLACK

■ 16 PER PALLET

■ BODY & COVER	1324-12B2B	22.00 LBS.	9.98 KG
■ BODY WITH METER READER COVER	1324-12B3B	22.80 LBS.	10.34 KG
■ BODY	1324-12B	15.00 LBS.	6.80 KG
■ COVER	1324-2B	7.00 LBS.	3.18 KG
■ COVER WITH METER READER DOOR	1324-3B	7.80 LBS.	3.54 KG



BOLTS - 3/8" x 2 1/2" STAINLESS STEEL  
 DIAGONAL BOLT DOWN PATTERN



■ FOR USE IN NON-VEHICLE TRAFFIC AREA



1324-3B



1324-2B



1324-12B

### SPECIAL FEATURES

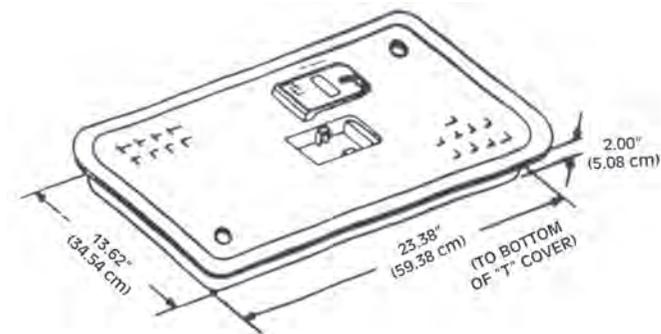
- UV INHIBITOR ADDED TO PREVENT DISCOLORING & CRACKING
- HEAVY DUTY COMMERCIAL CONSTRUCTION
- CAST IRON OR POLY METER READER COVER
- DIAGONAL BOLT DOWN PATTERN
- MOLDED IN NYLON NUT FOR BOLT

**STANDARD MARKINGS AVAILABLE (WATER SOLID OR WITH METER READER • ICV)**

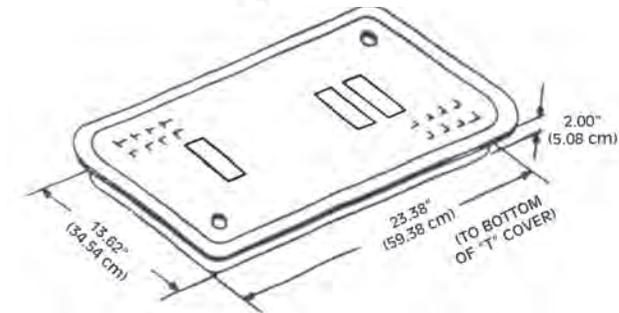
## SERIES 1324 (15" HIGH) UTILITY BOX GREEN

■ 16 PER PALLET

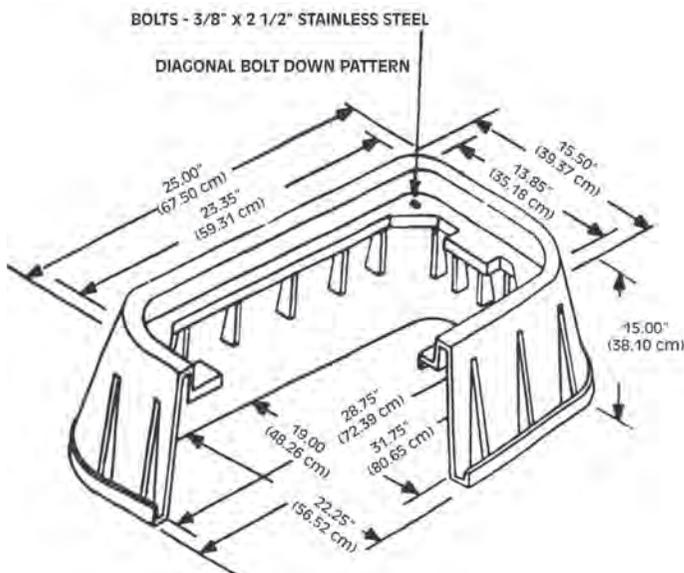
■ BODY & COVER	1324-15P2P	27.00 LBS.	12.25 KG
■ BODY WITH METER READER COVER	1324-15P3P	27.80 LBS.	12.61 KG
■ BODY	1324-15P	20.00 LBS.	9.07 KG
■ COVER	1324-2P	7.00 LBS.	3.18 KG
■ COVER WITH METER READER DOOR	1324-3P	7.80 LBS.	3.54 KG



1324-3P



1324-2P



1324-15P

■ FOR USE IN NON-VEHICLE TRAFFIC AREA

### SPECIAL FEATURES

- UV INHIBITOR ADDED TO PREVENT DISCOLORING & CRACKING
- HEAVY DUTY COMMERCIAL CONSTRUCTION
- CAST IRON OR POLY METER READER COVER
- DIAGONAL BOLT DOWN PATTERN
- MOLDED IN NYLON NUT FOR BOLT

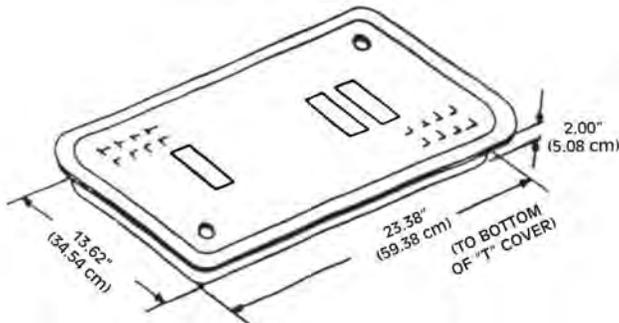
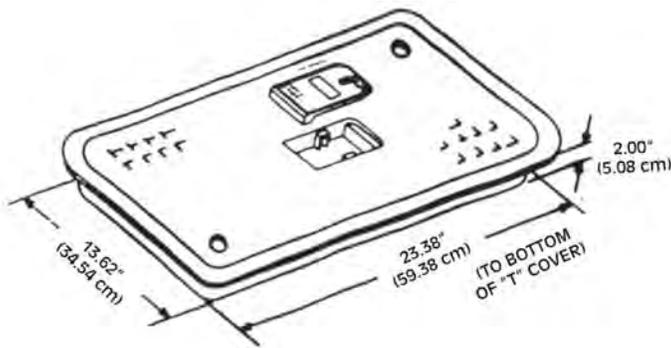
### OTHER STOCK COLORS AVAILABLE

- BLACK
- GRAY
- TAN
- LAVENDER

**STANDARD MARKINGS AVAILABLE (IRRIGATION CONTROL VALVE • WATER (SOLID OR WITH METER READER) • RECLAIMED WATER • ELECTRIC • TELEPHONE • SEWER)**

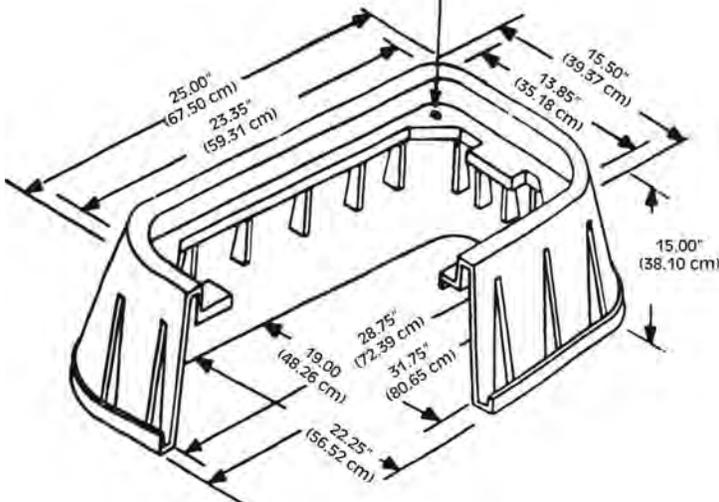
## SERIES 1324 (15" HIGH) UTILITY BOX BLACK

■ 16 PER PALLET			
■ BODY & COVER	1324-15B2B	27.00 LBS.	12.25 KG
■ BODY & METER READER COVER	1324-15P3B	27.80 LBS.	12.61 KG
■ BODY	1324-15B	20.00 LBS.	9.07 KG
■ COVER	1324-2B	7.00 LBS.	3.18 KG
■ COVER WITH METER DOOR	1324-3B	7.80 LBS.	3.54 KG



BOLTS - 3/8" X 2 1/2" STAINLESS STEEL

DIAGONAL BOLT DOWN PATTERN



■ FOR USE IN NON-VEHICLE TRAFFIC AREA



1324-3B



1324-2B



1324-15B

### SPECIAL FEATURES

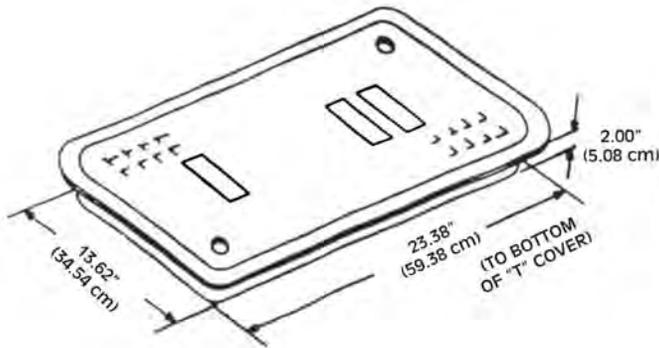
- UV INHIBITOR ADDED TO PREVENT DISCOLORING & CRACKING
- HEAVY DUTY COMMERCIAL CONSTRUCTION
- CAST IRON OR POLY METER READER COVER
- DIAGONAL BOLT DOWN PATTERN
- MOLDED IN NYLON NUT FOR BOLT

STANDARD MARKINGS AVAILABLE (WATER (SOLID OR WITH METER READER) ICV • ELECTRIC)

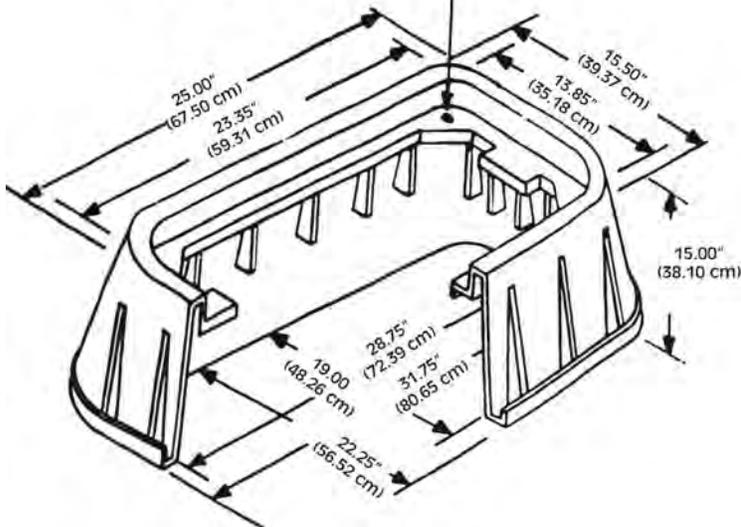
## SERIES 1324 (15" HIGH) UTILITY BOX GRAY

■ 16 PER PALLET

■ BODY & COVER	1324-15GY2GY	27.00 LBS.	12.25 KG
■ BODY	1324-15GY	20.00 LBS.	9.07 KG
■ COVER	1324-2GY	7.00 LBS.	3.18 KG



BOLTS - 3/8" x 2 1/2" STAINLESS STEEL  
 DIAGONAL BOLT DOWN PATTERN



■ FOR USE IN NON-VEHICLE TRAFFIC AREA

### SPECIAL FEATURES

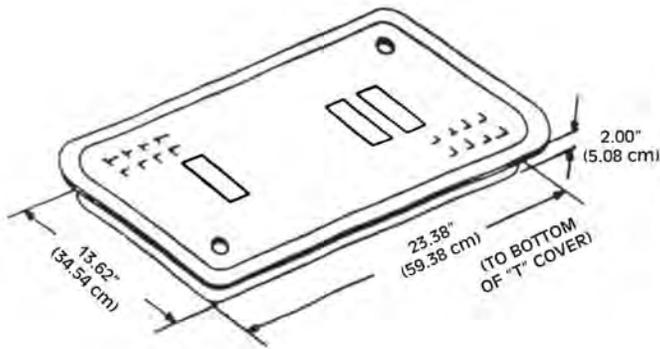
- UV INHIBITOR ADDED TO PREVENT DISCOLORING & CRACKING
- HEAVY DUTY COMMERCIAL CONSTRUCTION
- DIAGONAL BOLT DOWN PATTERN
- MOLDED IN NYLON NUT FOR BOLT

**STANDARD MARKINGS AVAILABLE (ELECTRIC)**

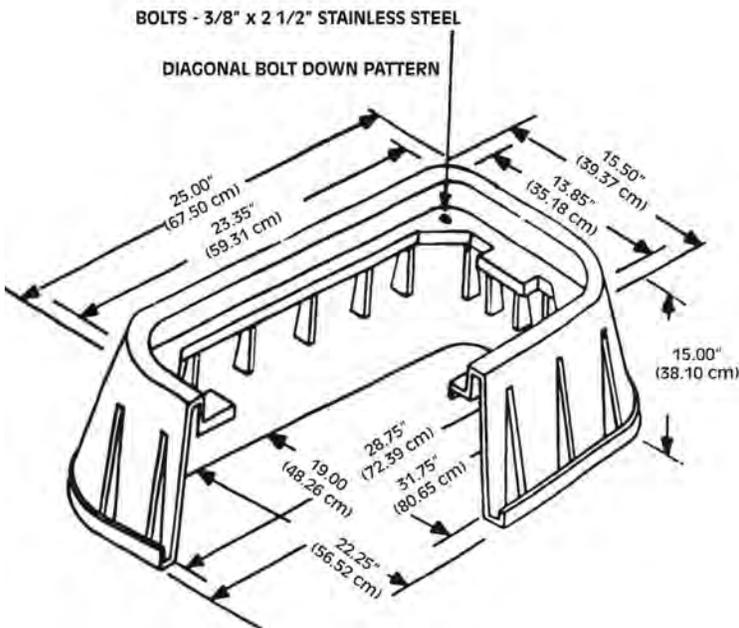
## SERIES 1324 (15" HIGH) UTILITY BOX TAN

■ 16 PER PALLET

■ BODY & COVER	1324-15T2T	27.00 LBS.	12.25 KG
■ BODY	1324-15T	20.00 LBS.	9.07 KG
■ COVER	1324-2T	7.00 LBS.	3.18 KG



1324-2T



1324-15T

■ FOR USE IN NON-VEHICLE TRAFFIC AREA

### SPECIAL FEATURES

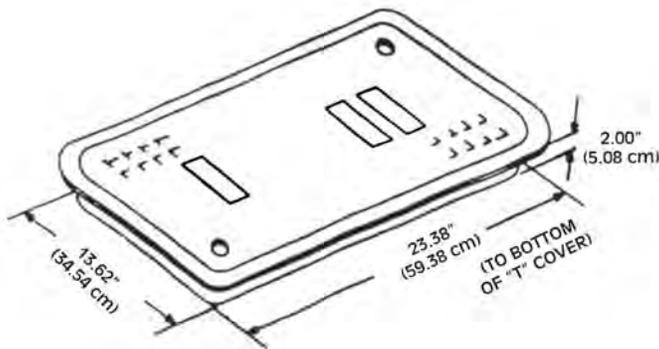
- UV INHIBITOR ADDED TO PREVENT DISCOLORING & CRACKING
- HEAVY DUTY COMMERCIAL CONSTRUCTION
- DIAGONAL BOLT DOWN PATTERN
- MOLDED IN NYLON NUT FOR BOLT

STANDARD MARKINGS AVAILABLE (IRRIGATION CONTROL VALVE)

## SERIES 1324 (15" HIGH) UTILITY BOX LAVENDER

■ 16 PER PALLET

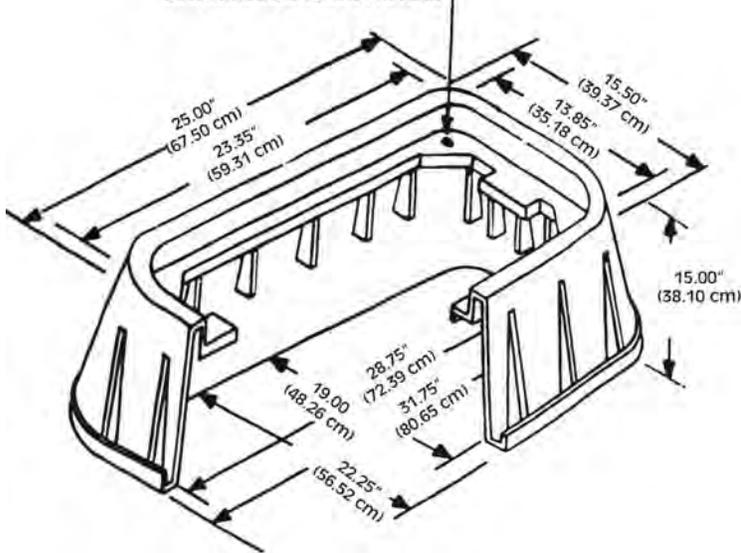
■ BODY & COVER	1324-15L2L	27.00 LBS.	12.25KG
■ BODY	1324-15L	20.00 LBS.	9.07 KG
■ COVER	1324-2L	7.00 LBS.	3.18 KG



1324-2L

BOLTS - 3/8" x 2 1/2" STAINLESS STEEL

DIAGONAL BOLT DOWN PATTERN



1324-15L

■ FOR USE IN NON-VEHICLE TRAFFIC AREA

### SPECIAL FEATURES

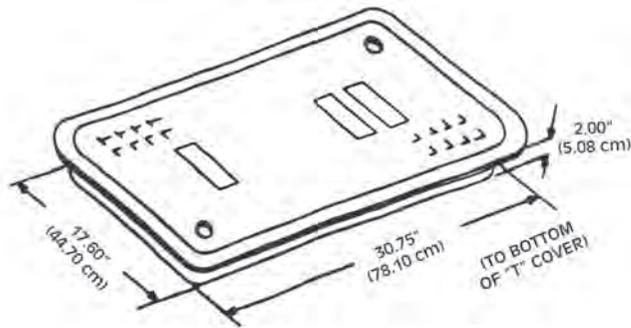
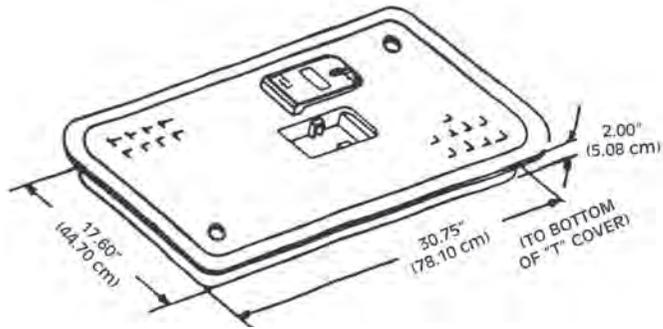
- UV INHIBITOR ADDED TO PREVENT DISCOLORING & CRACKING
- HEAVY DUTY COMMERCIAL CONSTRUCTION
- DIAGONAL BOLT DOWN PATTERN
- MOLDED IN NYLON NUT FOR BOLT

STANDARD MARKINGS AVAILABLE (RECLAIMED WATER)

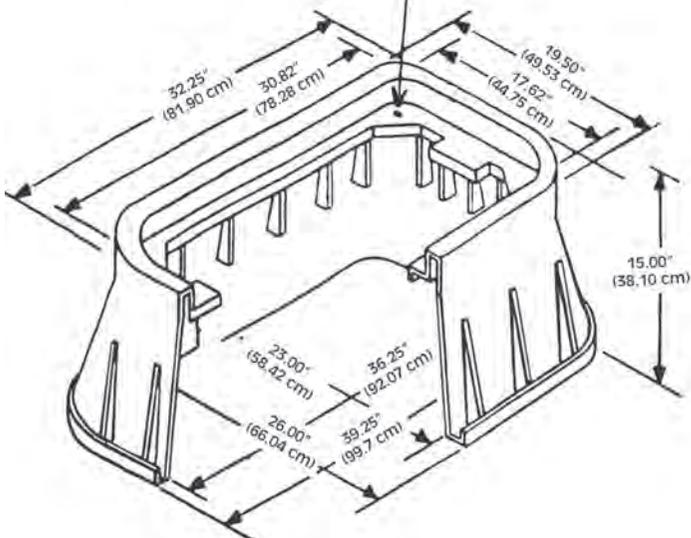


## SERIES 1730 (15" HIGH) UTILITY BOX GREEN

■ 16 PER PALLET			
■ BODY & COVER	1730-15P2P	31.00 LBS.	14.06 KG
■ BODY WITH METER READER COVER	1730-15P3P	31.30 LBS.	14.20 KG
■ BODY	1730-15P	18.00 LBS.	8.16 KG
■ COVER	1730-2P	13.00 LBS.	5.90 KG
■ COVER WITH METER DOOR	1730-3P	13.30 LBS.	6.04 KG



BOLTS - 3/8" x 2 1/2" STAINLESS STEEL  
 DIAGONAL BOLT DOWN PATTERN



■ FOR USE IN NON-VEHICLE TRAFFIC AREA

### SPECIAL FEATURES

- UV INHIBITOR ADDED TO PREVENT DISCOLORING & CRACKING
- HEAVY DUTY COMMERCIAL CONSTRUCTION
- CAST IRON OR POLY METER READER COVER
- DIAGONAL BOLT DOWN PATTERN
- MOLDED IN NYLON NUT FOR BOLT

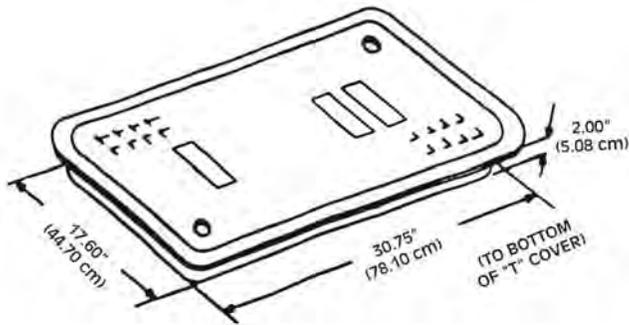
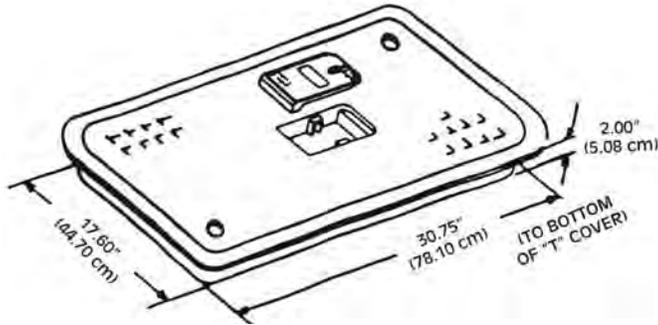
**OTHER STOCK COLORS AVAILABLE**

- BLACK
- GRAY

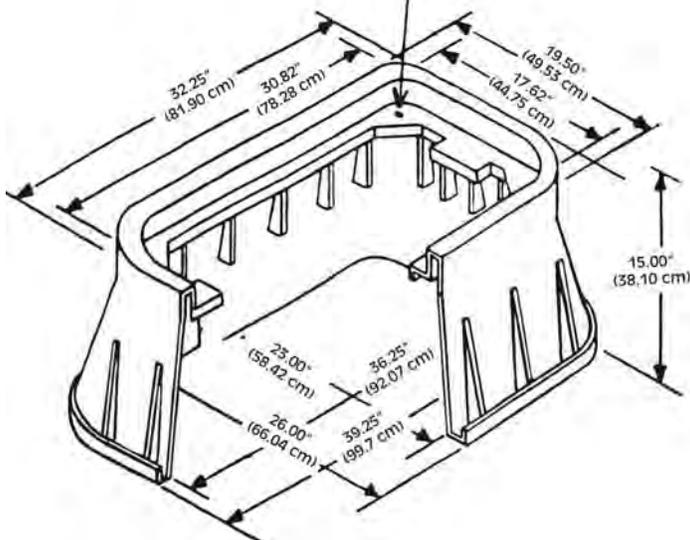
**STANDARD MARKINGS AVAILABLE ( IRRIGATION CONTROL VALVE**  
**• WATER (SOLID OR WITH METER READER) • ELECTRIC • BLANK • TELEPHONE • SEWER • CATV)**

## SERIES 1730 (15" HIGH) UTILITY BOX BLACK

■ 16 PER PALLET			
■ BODY & COVER	1730-15B2B	31.00 LBS.	14.06 KG
■ BODY WITH METER COVER	1730-15B3B	31.30 LBS.	14.20 KG
■ BODY	1730-15B	18.00 LBS.	8.16 KG
■ COVER	1730-2B	13.00 LBS.	5.90 KG
■ COVER WITH METER DOOR	1730-3B	13.30 LBS.	6.04 KG



BOLTS - 3/8" x 2 1/2" STAINLESS STEEL  
 DIAGONAL BOLT DOWN PATTERN



■ FOR USE IN NON-VEHICLE TRAFFIC AREA



### SPECIAL FEATURES

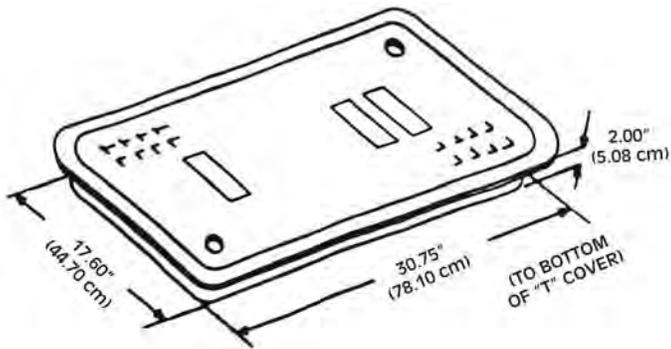
- UV INHIBITOR ADDED TO PREVENT DISCOLORING & CRACKING
- HEAVY DUTY COMMERCIAL CONSTRUCTION
- CAST IRON OR POLY METER READER COVER
- DIAGONAL BOLT DOWN PATTERN
- MOLDED IN NYLON NUT FOR BOLT

**STANDARD MARKINGS AVAILABLE  
 (IRRIGATION CONTROL VALVE • WATER -SOLID OR WITH METER READER)**

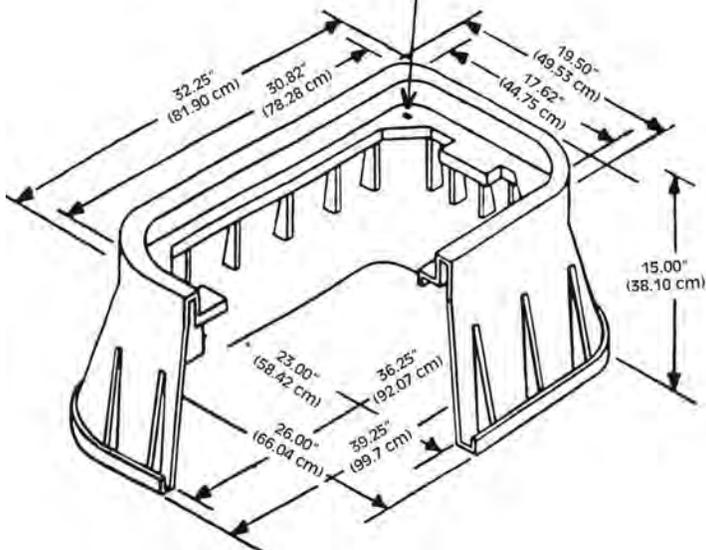
## SERIES 1730 (15" HIGH) UTILITY BOX GRAY

■ 16 PER PALLET

■ BODY & COVER	1730-15GY2GY	31.00 LBS.	14.06 KG
■ BODY	1730-15GY	18.00 LBS.	8.16 KG
■ COVER	1730-2GY	13.00 LBS.	5.90 KG



BOLTS - 3/8" x 2 1/2" STAINLESS STEEL  
 DIAGONAL BOLT DOWN PATTERN



■ FOR USE IN NON-VEHICLE TRAFFIC AREA

### SPECIAL FEATURES

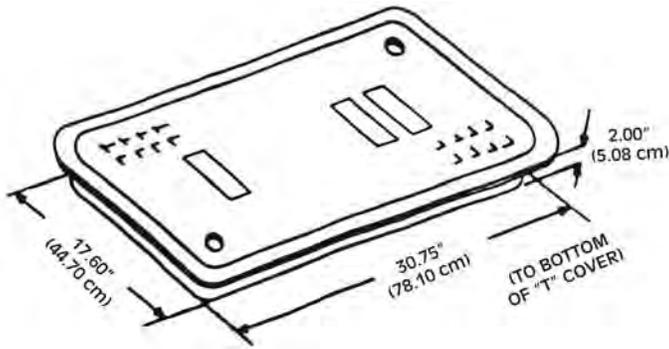
- UV INHIBITOR ADDED TO PREVENT DISCOLORING & CRACKING
- HEAVY DUTY COMMERCIAL CONSTRUCTION
- DIAGONAL BOLT DOWN PATTERN
- MOLDED IN NYLON NUT FOR BOLT

STANDARD MARKINGS AVAILABLE (ELECTRIC • TELEPHONE)

## SERIES 1730 (15" HIGH) UTILITY BOX LAVENDER

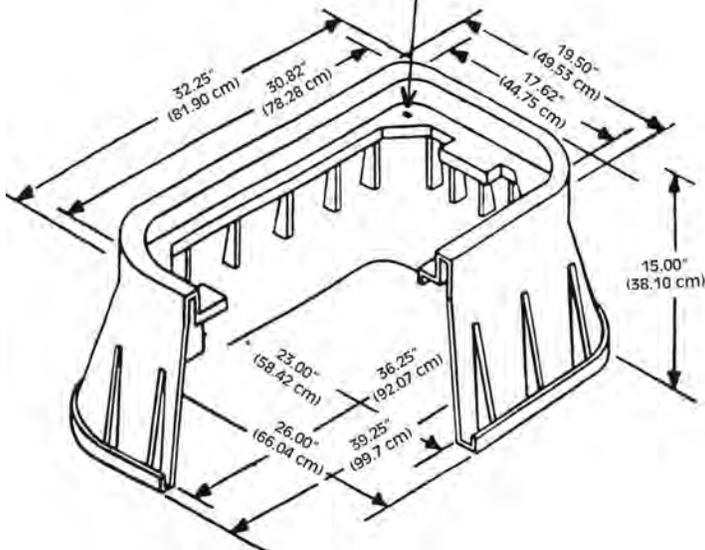
■ 16 PER PALLET

■ BODY & COVER	1730-15L2L	31.00 LBS.	14.06 KG
■ BODY	1730-15L	18.00 LBS.	8.16 KG
■ COVER	1730-2L	13.00 LBS.	5.90 KG



1730-2L

BOLTS - 3/8" x 2 1/2" STAINLESS STEEL  
 DIAGONAL BOLT DOWN PATTERN



1730-15L

■ FOR USE IN NON-VEHICLE TRAFFIC AREA

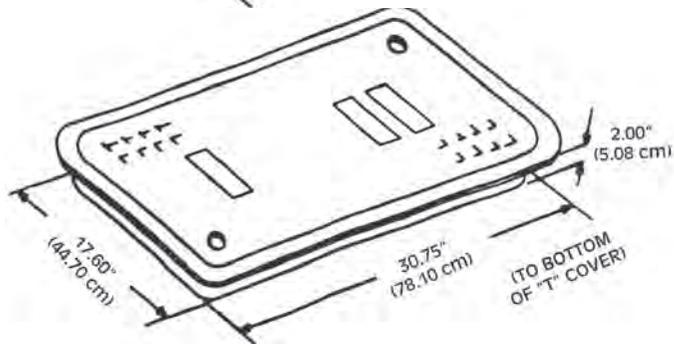
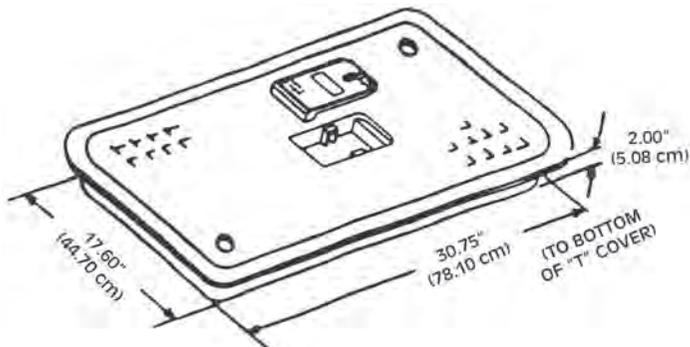
### SPECIAL FEATURES

- UV INHIBITOR ADDED TO PREVENT DISCOLORING & CRACKING
- HEAVY DUTY COMMERCIAL CONSTRUCTION
- DIAGONAL BOLT DOWN PATTERN
- MOLDED IN NYLON NUT FOR BOLT

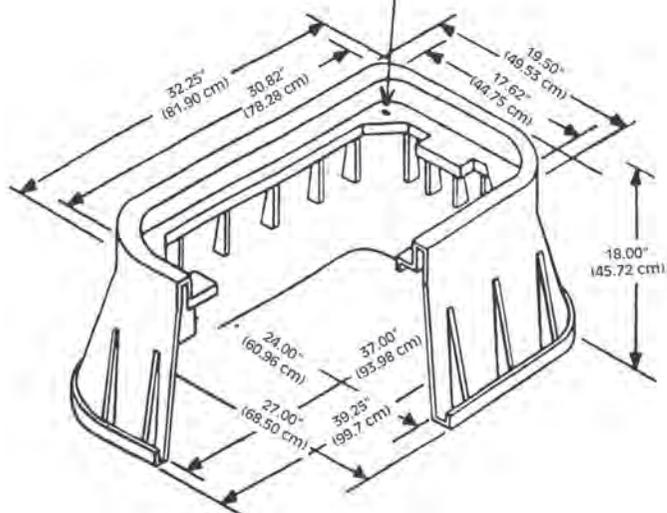
**STANDARD MARKINGS AVAILABLE (RECLAIMED WATER)**

**SERIES 1730 (18" HIGH) UTILITY BOX GREEN**

■ 16 PER PALLET			
■ BODY & COVER	1730-18P2P	42.00 LBS.	19.05 KG
■ BODY WITH METER COVER	1730-18P3P	42.30 LBS.	19.18 KG
■ BODY	1730-18P	29.00 LBS.	13.15 KG
■ COVER	1730-2P	13.00 LBS.	5.90 KG
■ COVER WITH METER DOOR	1730-3P	13.30 LBS.	6.03 KG



BOLTS - 3/8" x 2 1/2" STAINLESS STEEL  
DIAGONAL BOLT DOWN PATTERN



■ FOR USE IN NON-VEHICLE TRAFFIC AREA



1730-3P



1730-2P



1730-18P

**SPECIAL FEATURES**

- UV INHIBITOR ADDED TO PREVENT DISCOLORING & CRACKING
- HEAVY DUTY COMMERCIAL CONSTRUCTION
- CAST IRON OR POLY METER READER COVER
- DIAGONAL BOLT DOWN PATTERN
- MOLDED IN NYLON NUT FOR BOLTS

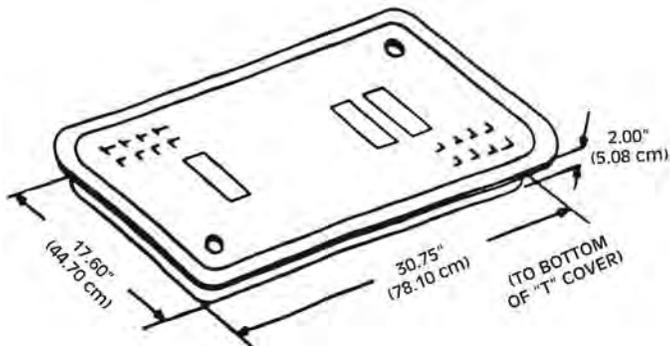
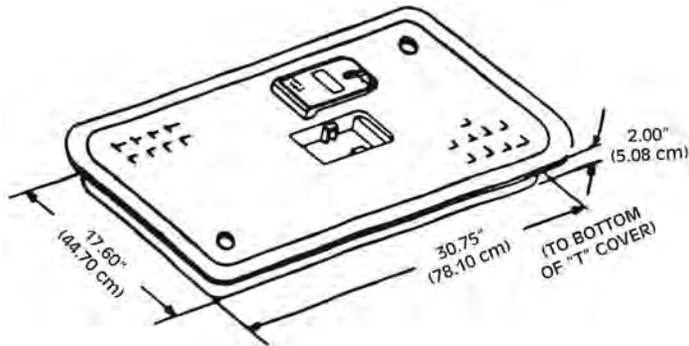
**OTHER STOCK COLORS AVAILABLE**

- BLACK
- GRAY
- LAVENDER
- TAN

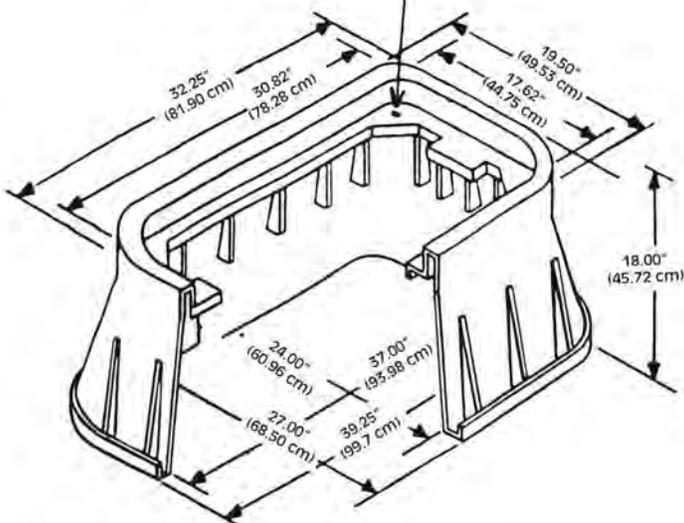
**STANDARD MARKINGS (IRRIGATION CONTROL VALVE (ICV) • TELEPHONE • CATV • ELECTRIC • WATER (SOLID OR WITH METER READER) • BLANK • SEWER • RECLAIMED WATER)**

## SERIES 1730 (18" HIGH) UTILITY BOX BLACK

■ 16 PER PALLET			
■ BODY & COVER	1730-18B2B	42.00 LBS.	19.05 KG
■ BODY WITH METER COVER	1730-18B3B	42.30 LBS.	19.18 KG
■ BODY	1730-18B	29.00 LBS.	13.15 KG
■ COVER	1730-2B	13.00 LBS.	5.90 KG
■ COVER WITH METER DOOR	1730-3B	13.30 LBS.	6.03 KG



BOLTS - 3/8" x 2 1/2" STAINLESS STEEL  
 DIAGONAL BOLT DOWN PATTERN



■ FOR USE IN NON-VEHICLE TRAFFIC AREA



### SPECIAL FEATURES

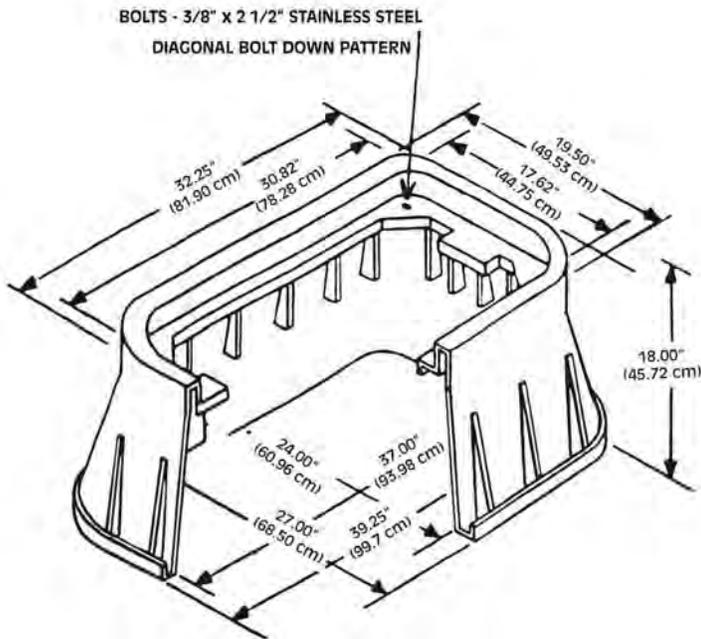
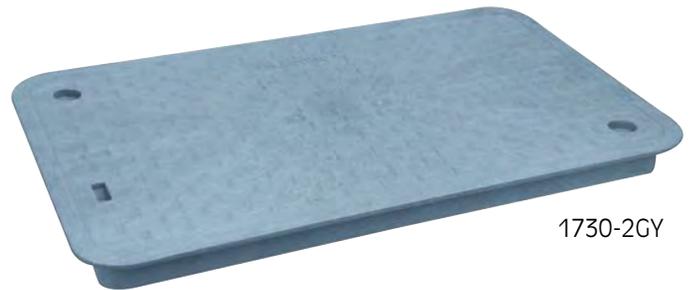
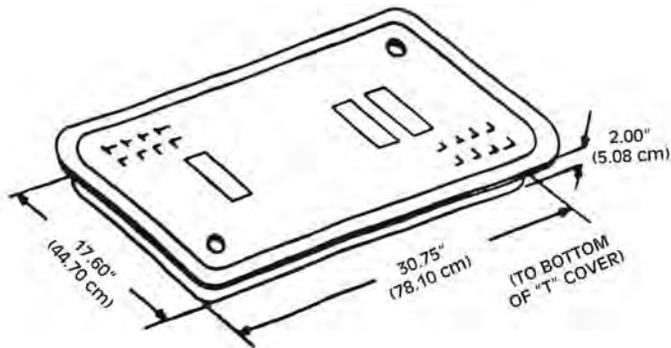
- UV INHIBITOR ADDED TO PREVENT DISCOLORING & CRACKING
- HEAVY DUTY COMMERCIAL CONSTRUCTION
- CAST IRON OR POLY METER READER COVER
- DIAGONAL BOLT DOWN PATTERN
- MOLDED IN NYLON NUT FOR BOLTS

**STANDARD MARKINGS (IRRIGATION CONTROL VALVE (ICV) • ELECTRIC • WATER (SOLID OR WITH METER READER) • BLANK)**

## SERIES 1730 (18" HIGH) UTILITY BOX GRAY

■ 16 PER PALLET

■ BODY & COVER	1730-18GY2GY	42.00 LBS.	19.05 KG
■ BODY	1730-18GY	29.00 LBS.	13.15 KG
■ COVER	1730-2GY	13.00 LBS.	5.90 KG



■ FOR USE IN NON-VEHICLE TRAFFIC AREA

### SPECIAL FEATURES

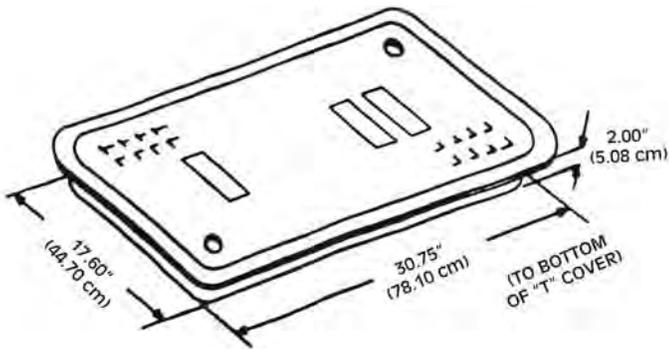
- UV INHIBITOR ADDED TO PREVENT DISCOLORING & CRACKING
- HEAVY DUTY COMMERCIAL CONSTRUCTION
- DIAGONAL BOLT DOWN PATTERN
- MOLDED IN NYLON NUT FOR BOLTS

STANDARD MARKINGS (TELEPHONE • ELECTRIC)

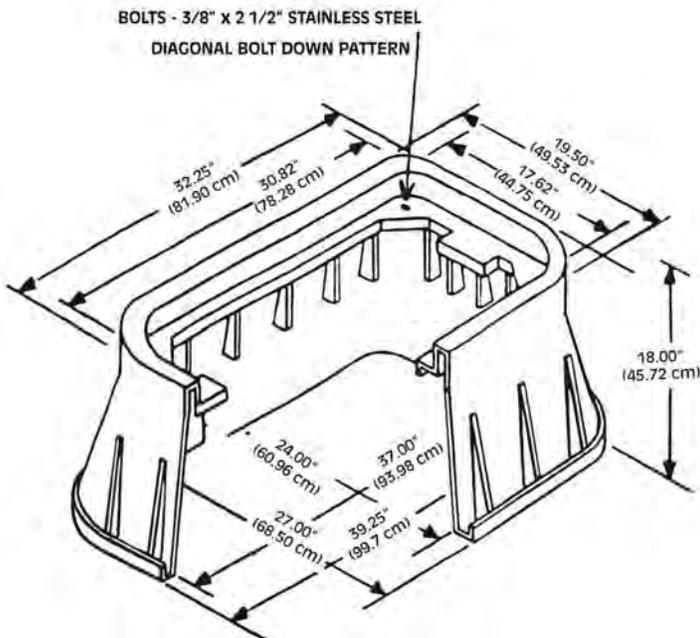
## SERIES 1730 (18" HIGH) UTILITY BOX LAVENDER

■ 16 PER PALLET

■ BODY & COVER	1730-18L2L	42.00 LBS.	19.05 KG
■ BODY	1730-18L	29.00 LBS.	13.15 KG
■ COVER	1730-2L	13.00 LBS.	5.90 KG



1730-2L



1730-18L

■ FOR USE IN NON-VEHICLE TRAFFIC AREA

### SPECIAL FEATURES

- UV INHIBITOR ADDED TO PREVENT DISCOLORING & CRACKING
- HEAVY DUTY COMMERCIAL CONSTRUCTION
- DIAGONAL BOLT DOWN PATTERN
- MOLDED IN NYLON NUT FOR BOLTS

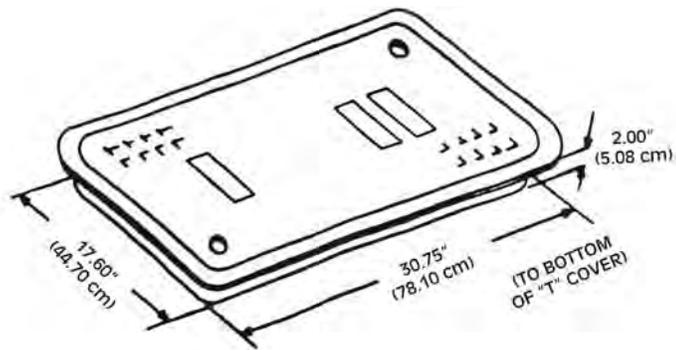
**STANDARD MARKINGS AVAILABLE (RECLAIMED WATER • ICV)**



**SERIES 1730 (18" HIGH) UTILITY BOX TAN**

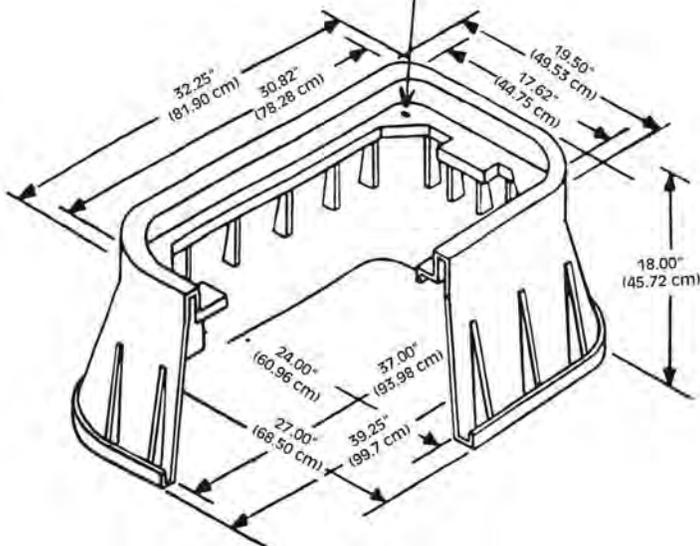
■ 16 PER PALLET

■ BODY & COVER	1730-18T2T	42.00 LBS.	19.05 KG
■ BODY	1730-18T	29.00 LBS.	13.15 KG
■ COVER	1730-2T	13.00 LBS.	5.90 KG



1730-2T

BOLTS - 3/8" x 2 1/2" STAINLESS STEEL  
 DIAGONAL BOLT DOWN PATTERN



1730-18T

■ FOR USE IN NON-VEHICLE TRAFFIC AREA

**SPECIAL FEATURES**

- UV INHIBITOR ADDED TO PREVENT DISCOLORING & CRACKING
- HEAVY DUTY COMMERCIAL CONSTRUCTION
- DIAGONAL BOLT DOWN PATTERN
- MOLDED IN NYLON NUT FOR BOLTS

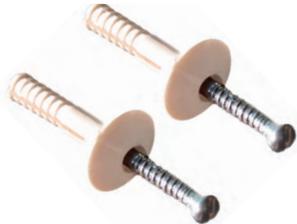
**STANDARD MARKINGS (IRRIGATION CONTROL VALVE)**



## V A L V E B O X N A M E P L A T E

### DESCRIPTION:

Applied Engineering's Reclaimed Valve Box nameplate is easily retrofitted to existing green valve box lids to properly identify new installation, where recycled/reclaimed water is being used. The nameplate comes with two tamper proof rivets for quick installation.



### SPECIFICATIONS

- LENGTH: 5.575" x 1.25"
- MATERIAL: UV Resistant, HDPE Plastic



## WARRANTY & LIABILITY STATEMENT

***Applied Engineering Products (AEP) is committed to maintaining the highest level of customer satisfaction and consistently adheres to strict quality product standards.***

### **Limited Warranty:**

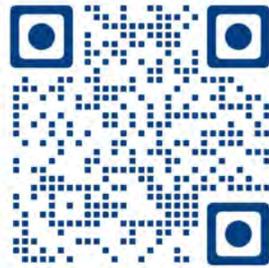
AEP valve boxes are guaranteed against any material or manufacturing defects. AEP's liability for any damages shall be limited solely to the replacement of defective product or, at AEP's discretion, a full or partial credit to the customer once defect is determined and approved by AEP. AEP will not be liable for any indirect damages or to any claim that may arise out of or relating to our seller's agreement. In addition, AEP will not be held responsible for any damage or deterioration to our product resulting from any causes outside of our reasonable control. This is including but not limited to product design, subgrade or subsurface conditions, damages incurred in transit, the failure or inadequacy of any labor or material not directly supplied by Applied Engineering Products, and any losses or expenses incurred due to inappropriate use or installation of products. AEP valve boxes are designed specifically for exterior surface purposes and are intended to only be used in soft landscapes.

### **Returned Goods:**

AEP will only accept returns that have been requested and approved in writing within 15 days of the original shipment and refunds will be processed only as customer credit. Please note that restocking charges may apply, and AEP is not responsible for freight or transportation charges or handling costs on returned goods.

Revised 6/1/2022

[www.aepvalvebox.com](http://www.aepvalvebox.com)



APPLIED ENGINEERING PRODUCTS