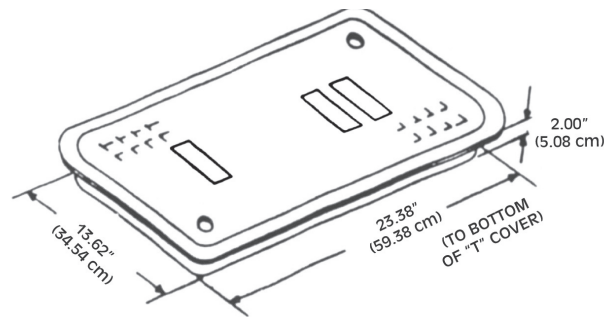
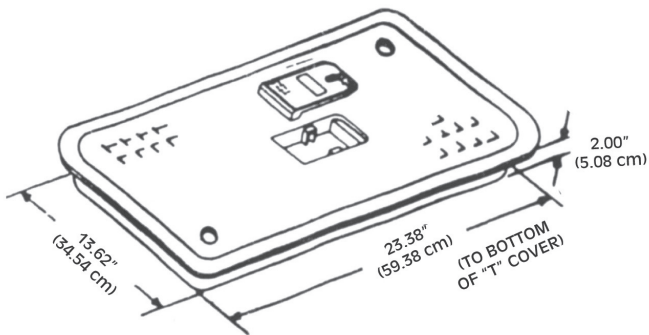


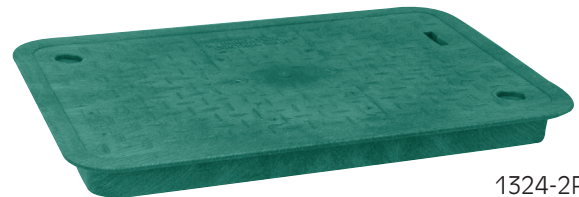
SERIES 1324 (15" HIGH) UTILITY BOX GREEN

■ 16 PER PALLET

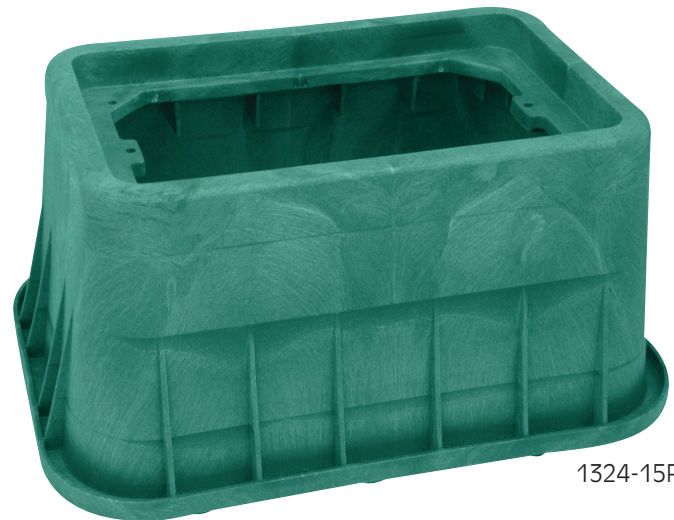
■ BODY & COVER	1324-15P2P	27.00 LBS.	12.25 KG
■ BODY WITH METER READER COVER	1324-15P3P	27.80 LBS.	12.61 KG
■ BODY	1324-15P	20.00 LBS.	9.07 KG
■ COVER	1324-2P	7.00 LBS.	3.18 KG
■ COVER WITH METER READER DOOR	1324-3P	7.80 LBS.	3.54 KG



1324-3P



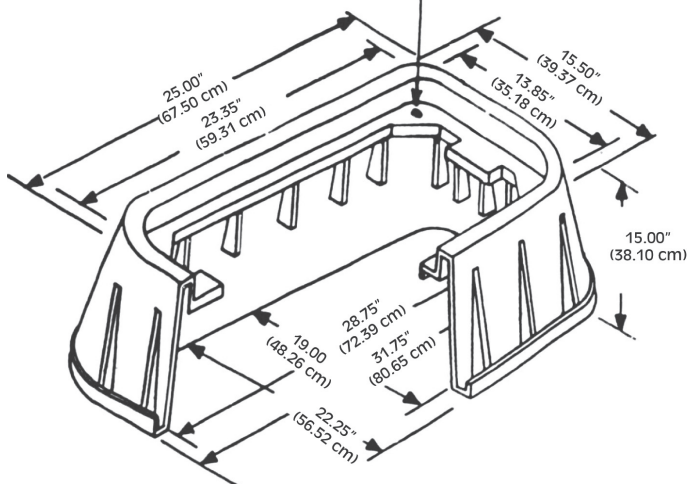
1324-2P



1324-15P

BOLTS - 3/8" x 2 1/2" STAINLESS STEEL

DIAGONAL BOLT DOWN PATTERN



■ FOR USE IN NON-VEHICLE TRAFFIC AREA

SPECIAL FEATURES

- UV INHIBITOR ADDED TO PREVENT DISCOLORING & CRACKING
- HEAVY DUTY COMMERCIAL CONSTRUCTION
- CAST IRON OR POLY METER READER COVER
- DIAGONAL BOLT DOWN PATTERN
- MOLDED IN NYLON NUT FOR BOLT

OTHER STOCK COLORS AVAILABLE

- BLACK
- GRAY
- TAN
- LAVENDER

STANDARD MARKINGS AVAILABLE (IRRIGATION CONTROL VALVE • WATER (SOLID OR WITH METER READER) • RECLAIMED WATER • ELECTRIC • TELEPHONE • SEWER)