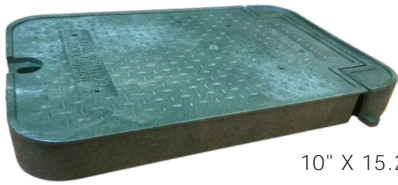


**SERIES 1015 (12" HIGH) HEAVY DUTY VALVE BOX GREEN WITH HINGED COVER**

■ 60 PER PALLET			
■ BODY WITH HINGED COVER	1015-1G4G	10.00 LBS.	4.54 KG
■ BODY	1015-1G	7.73 LBS.	3.50 KG
■ HINGED COVER	1015-4G	2.27 LBS.	1.03 KG

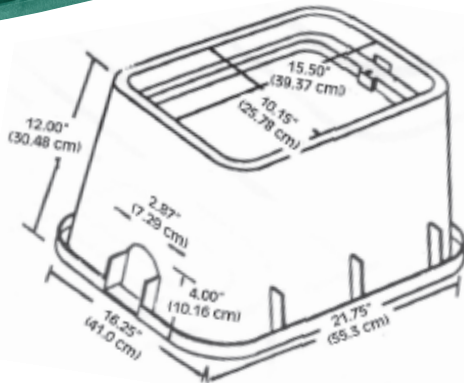


10" X 15.25"

**1015-4G  
HINGED  
COVER**



**1015-1G  
BODY**



**1015-1G4G  
BODY & COVER**

**STOCK COLORS  
AVAILABLE**

- GREEN
- TAN (ICV ONLY)

**SPECIAL FEATURES**

- HEAVY DUTY CONSTRUCTION
- MOLDED IN NYLON NUT FOR BOLT
- UV INHIBITOR TO PREVENT DISCOLORING & CRACKING
- NESTABLE FOR STORAGE OR SHIPPING
- COVER CANNOT BE EASILY REMOVED OR LOST IN THE FIELD
- EASY ACCESS TO IRRIGATION COMPONENTS

**STANDARD MARKING AVAILABLE (IRRIGATION CONTROL VALVE • ELECTRIC)**